

**LANDSCAPING SPECIFICATION**

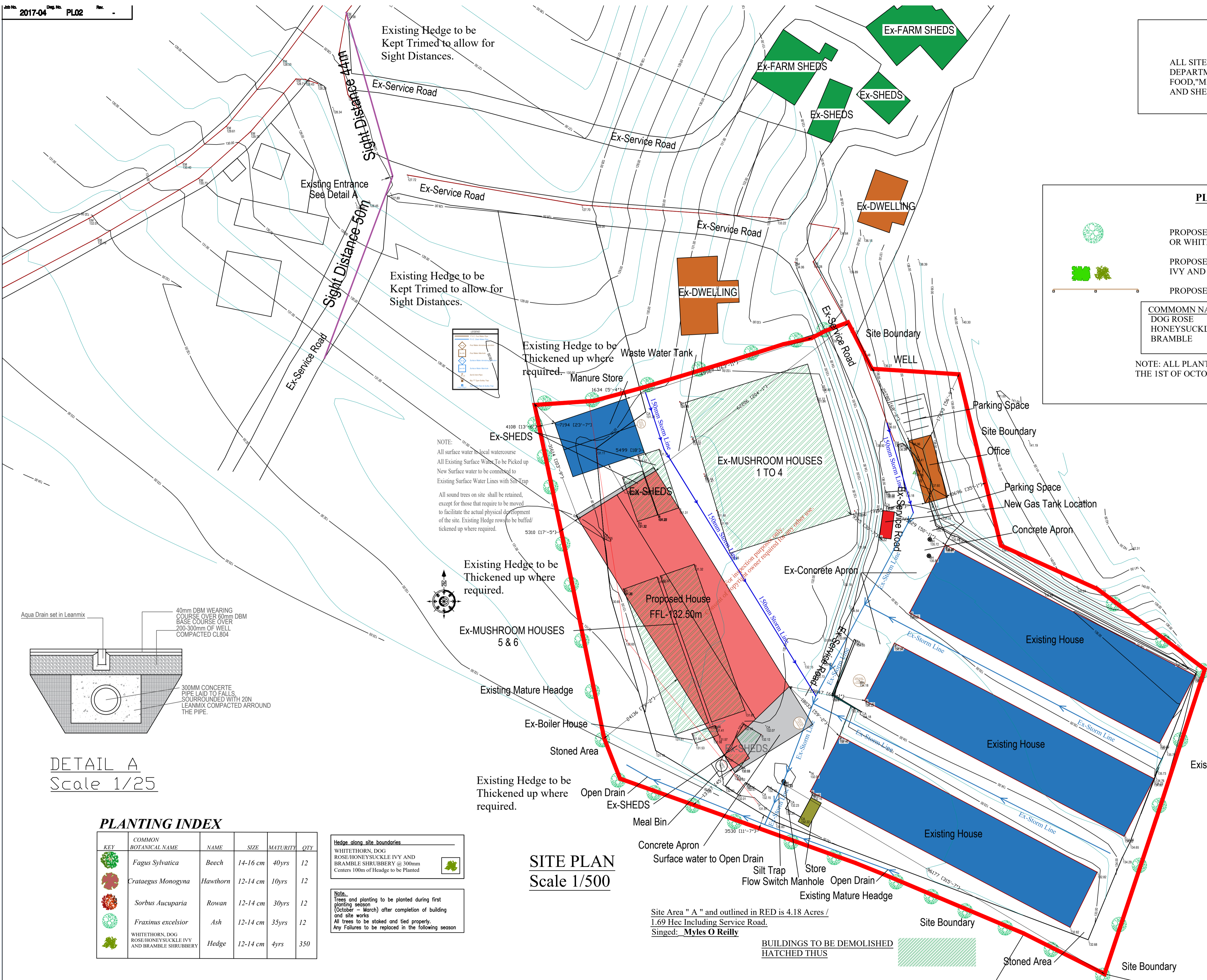
ALL SITE WORKS ARE TO BE DONE IN ACCORDANCE WITH THE DEPARTMENT OF AGRICULTURE FISHERIES AND FOOD, "MINIMUM SPECIFICATIONS FOR SCREENING BELTS AND SHELTER BELTS FOR FARM YARDS AND FARM BUILDINGS"

**PLANTING SCHEDULE**

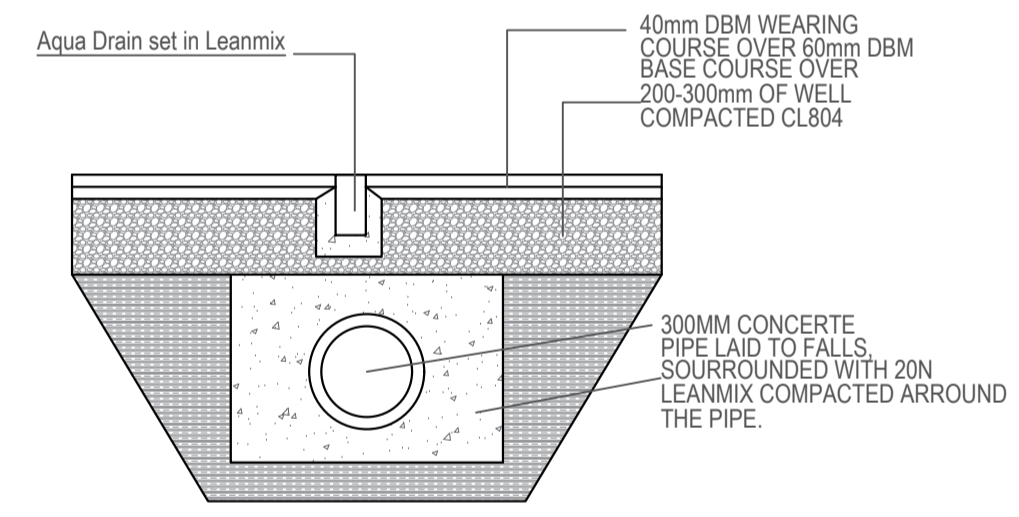
PROPOSED ROWAN, MOUNTAIN ASH, BEECH OR WHITETHORN TREES - MAX HEIGHT 9m  
 PROPOSED HEDGEROW OF DOG ROSE/HONEYSUCKLE IVY AND BRAMBLE SHRUBBERY MAX HEIGHT 1m  
 PROPOSED TIMBER & RAIL FENCING

COMMON NAME	SCIENTIFIC NAME
DOG ROSE	ROSA CANINA
HONEYSUCKLE	LONICERA PERICLYMENUM
BRAMBLE	RUBUS FRUCTICOSUS

NOTE: ALL PLANTING TO TAKE PLACE DURING THE PLANTING SEASON FROM THE 1ST OF OCTOBER TO THE 31ST OF MARCH



NOTE:  
 All surface water to local watercourse  
 All Existing Surface Water To be Picked up  
 New Surface water to be connected to  
 Existing Surface Water Lines with Silt Trap  
 All sound trees on site shall be retained,  
 except for those that require to be moved  
 to facilitate the actual physical development  
 of the site. Existing Hedge rows to be buffed/  
 thickened up where required.



DETAIL A  
 Scale 1/25

**PLANTING INDEX**

KEY	COMMON BOTANICAL NAME	NAME	SIZE	MATURITY	QTY
	Fagus Sylvatica	Beech	14-16 cm	40yrs	12
	Crataegus Monogyna	Hawthorn	12-14 cm	10yrs	12
	Sorbus Aucuparia	Rowan	12-14 cm	30yrs	12
	Fraxinus excelsior	Ash	12-14 cm	35yrs	12
	WHITETHORN, DOG ROSE/HONEYSUCKLE IVY AND BRAMBLE SHRUBBERY	Hedge	12-14 cm	4yrs	350

Hedge along site boundaries  
 WHITETHORN, DOG ROSE/HONEYSUCKLE IVY AND BRAMBLE SHRUBBERY @ 300mm Centers 100m of Hedge to be Planted

Note:  
 Trees and planting to be planted during first planting season (October - March) after completion of building and site works  
 All trees to be staked and tied properly.  
 Any Failures to be replaced in the following season

**SITE PLAN**  
 Scale 1/500

Site Area "A" and outlined in RED is 4.18 Acres / 1.69 Hec Including Service Road.  
 Signed: Myles O'Reilly

NOTES:	rev.	date	drawn	description	rev.	date	drawn	description
	A	12.02.06	MOR	ABCDERGHU				

**MOR MO'Reilly CIVIL ENGINEERING**  
 ARCHITECTURAL & CIVIL DESIGN GPS & TOPOGRAPHIC SURVEYING SETTING-OUT  
 Cruberry, Cavan, Co. Cavan T: 0877521970 E: morreillycivileng@hotmail.com

Client	Vincent Quinn	Date	23-10-17	Drawn	MOR	Checked	MOR
Project	Proposed construction of 1 no. Poultry House, Store and all ancillary	Job No.	2017-04	Drawn No.	PL02	Rev.	-
Site	Site works at Comanagh, Co. Monaghan.	Scale	1:500	Drawn Title	Planning	Sheet No.	A1