

SECTION B – GENERAL



Attachment B2: Agglomeration Details

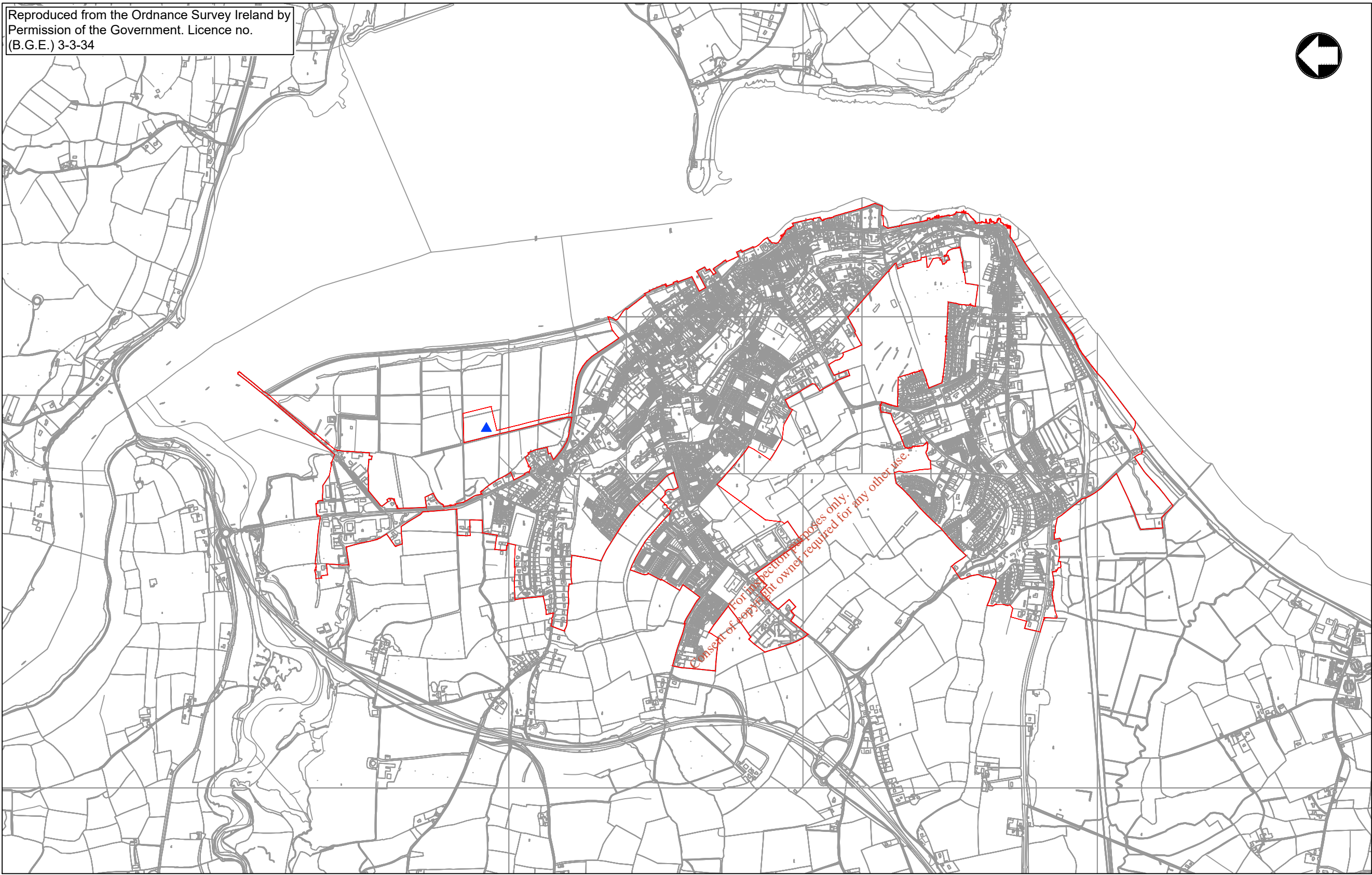
- Attachment B.2: Youghal Agglomeration boundary

*For inspection purposes only.
Consent of copyright owner required for any other use.*

Reproduced from the Ordnance Survey Ireland by Permission of the Government. Licence no. (B.G.E.) 3-3-34



LEGEND
 Agglomeration
 Youghal WWTP



© Mott MacDonald Ireland
 This document is issued for the party which commissioned it and for specific purposes connected with the captioned project only. It should not be relied upon by any other party or used for any other purpose.
 We accept no responsibility for the consequences of this document being relied upon by any other party, or being used for any other purpose, or containing any error or omission which is due to an error or omission in data supplied to us by other parties.

M M
MOTT MACDONALD

5 Eastgate Avenue
 Eastgate
 Little Island
 Cork
 Ireland
 T +353 (0) 21 4809800
 F +353 (0) 21 4809801
 W www.mottmac.com

Client



Rev	Date	Drawn	Description	Ch'k'd	App'd
P1	10.03.20	DGal	Issued for Information	PCha	RMan

Title
 Youghal WWDL Review
 Agglomeration Boundary
 Attachment B.2
 Map 1

Drawing Number
 229379472-MMD-00-XX-DR-C-0101

Drawn	D Gallagher	
Checked	P Chambers	
Approved	R Mansfield	
Scale at A3 1:20,000		
Security	Status	Rev
STD	INF	P01

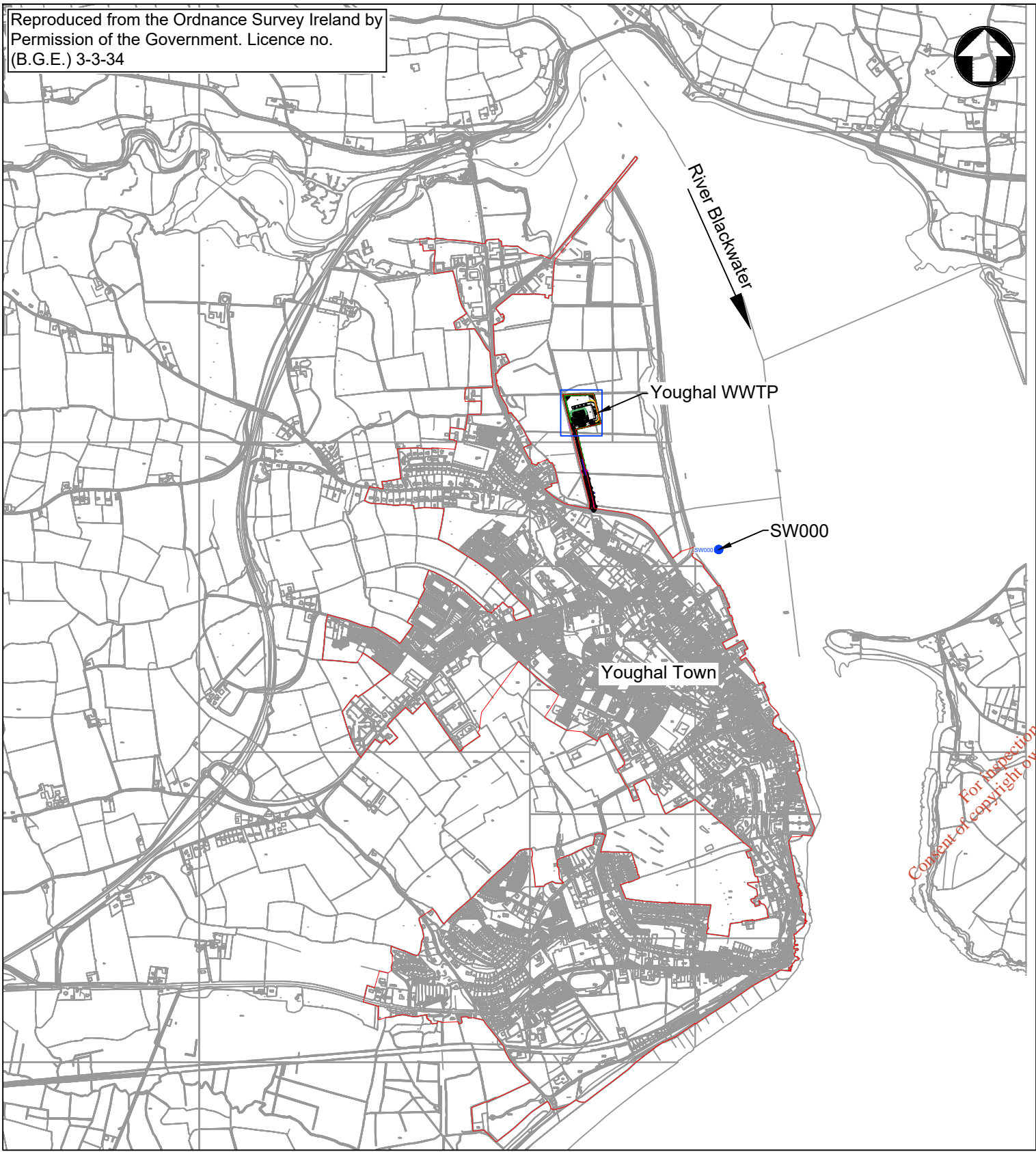
SECTION B – GENERAL

Attachment B3: Location of Associated Waste Water Treatment Plant(s)

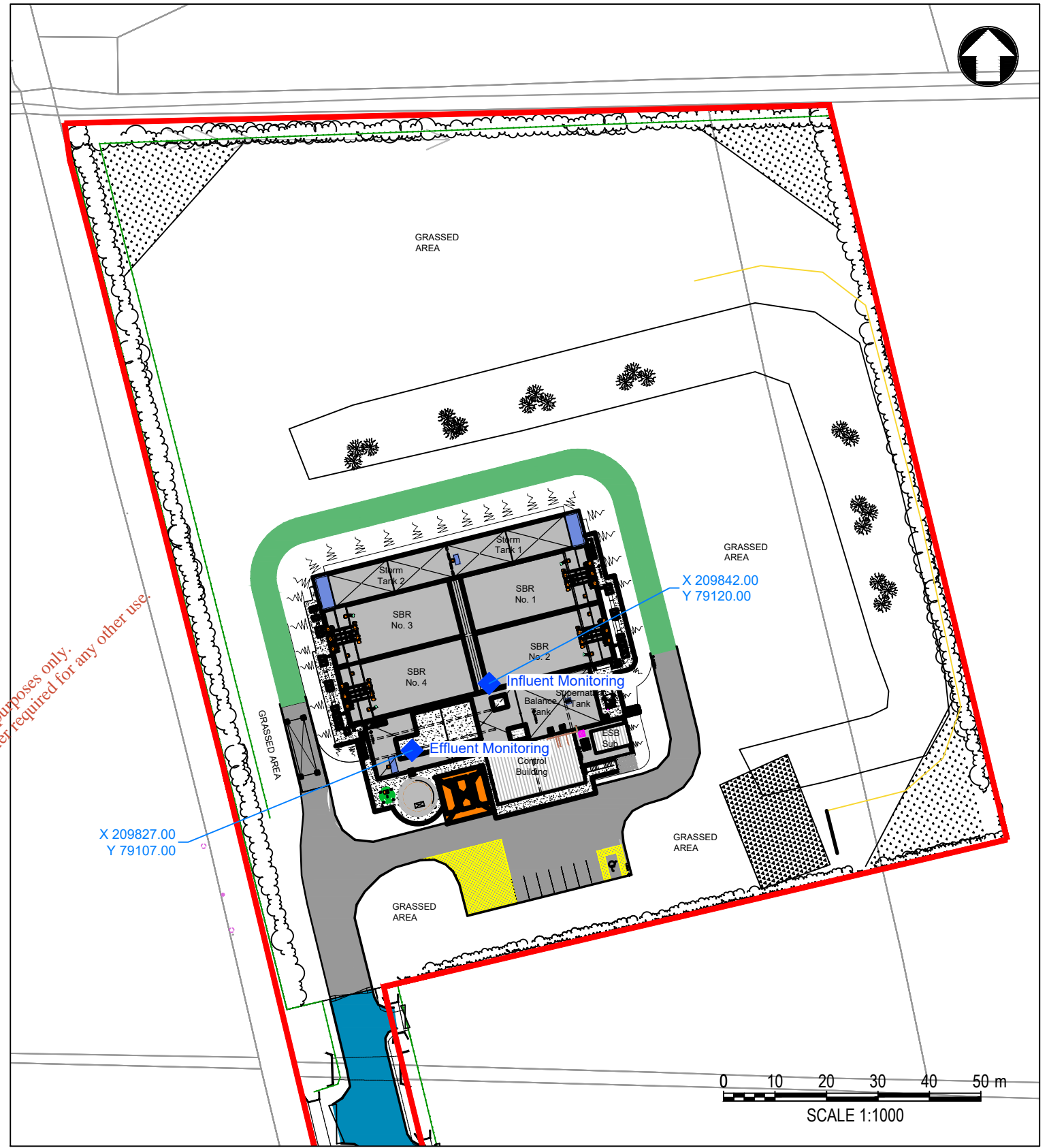
- **Attachment B.3a: Youghal Waste Water Treatment Plant Location/plan**
- **Attachment B.3b: Youghal Primary Discharge and ambient monitoring locations**

*For inspection purposes only.
Consent of copyright owner required for any other use.*

Reproduced from the Ordnance Survey Ireland by Permission of the Government. Licence no. (B.G.E.) 3-3-34



For inspection purposes only. Consent of copyright owner required for any other use.



© Mott MacDonald Ireland
 This document is issued for the party which commissioned it and for specific purposes connected with the captioned project only. It should not be relied upon by any other party or used for any other purpose.
 We accept no responsibility for the consequences of this document being relied upon by any other party, or being used for any other purpose, or containing any error or omission which is due to an error or omission in data supplied to us by other parties.

M
MOTT MACDONALD

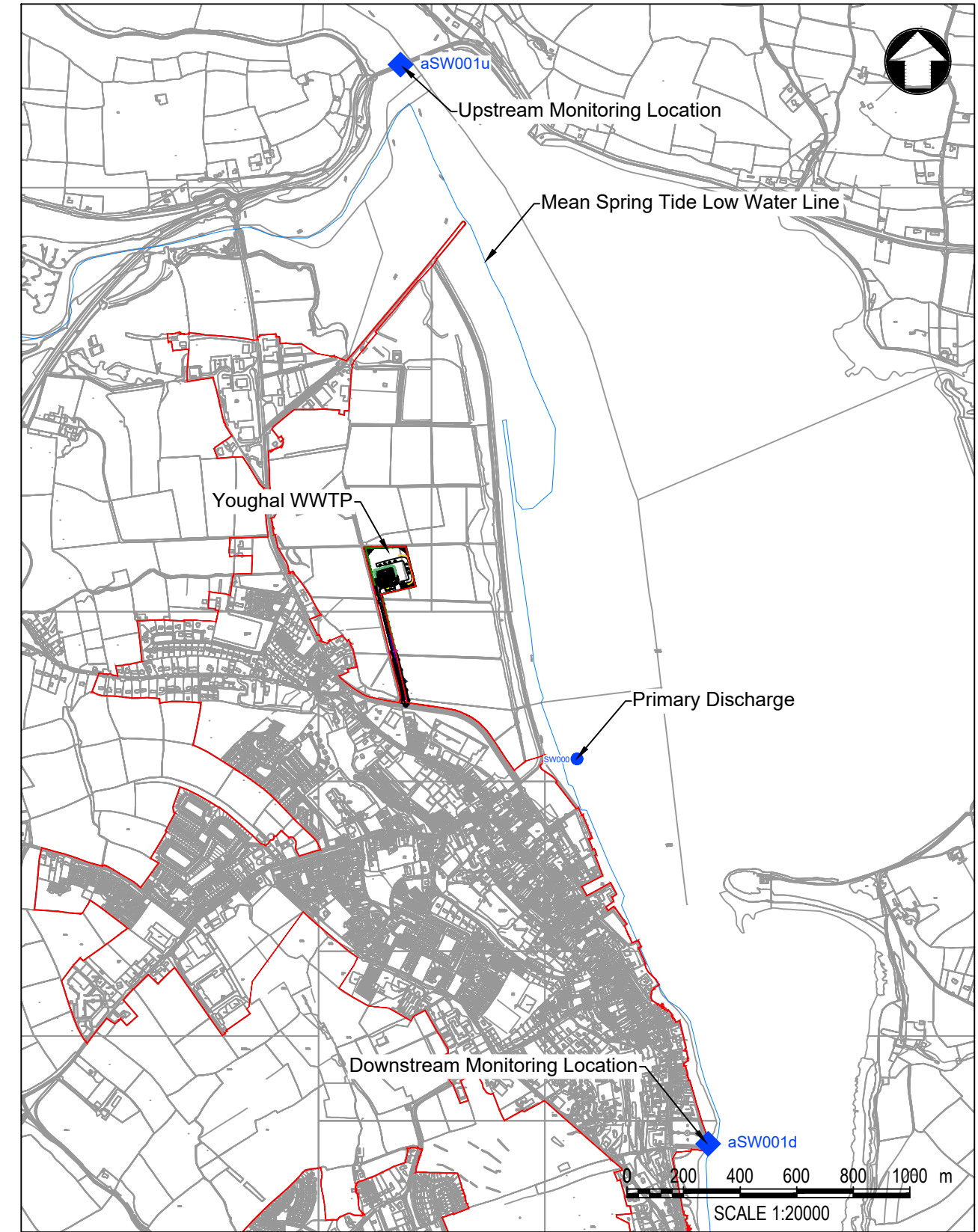
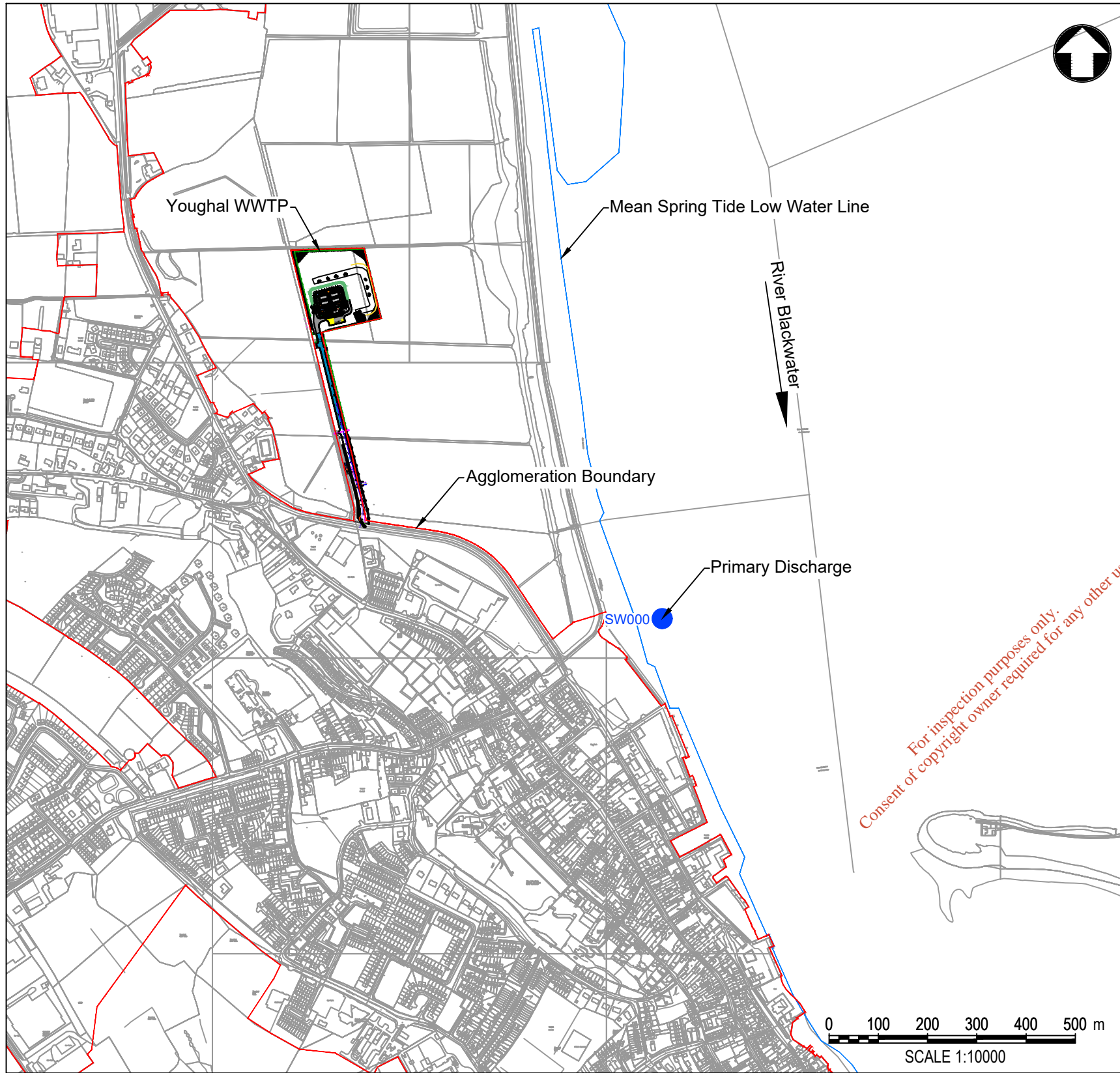
5 Eastgate Avenue
 Eastgate
 Little Island
 Cork
 Ireland
 T +353 (0) 21 4809800
 F +353 (0) 21 4809801
 W www.mottmac.com

Client

Rev	Date	Drawn	Description	Ch'k'd	App'd
P1	10.03.20	DGal	Issued for Information	PCha	RMan

Title	Youghal WWDL Review
Title	Location of Associated WWTP Attachment B.3a Map 2
Drawing Number	229379472-MMD-00-XX-DR-C-0102

Drawn	D Gallagher
Checked	P Chambers
Approved	R Mansfield
Scale at A3	1:25,000
Security	STD
Status	INF
Rev	P01



© Mott MacDonald Ireland
 This document is issued for the party which commissioned it and for specific purposes connected with the captioned project only. It should not be relied upon by any other party or used for any other purpose.
 We accept no responsibility for the consequences of this document being relied upon by any other party, or being used for any other purpose, or containing any error or omission which is due to an error or omission in data supplied to us by other parties.

	5 Eastgate Avenue Eastgate Little Island Cork Ireland T +353 (0) 21 4809800 F +353 (0) 21 4809801 W www.mottmac.com	Client 	Rev	Date	Drawn	Description	Ch'k'd	App'd	Title	Drawn	D Gallagher	
			P1	10.03.20	DGal	Issued for Information	PCha	RMan	229379472-MMD-00-XX-DR-C-0103	Security STD	Status INF	Rev P01
Youghal WWDL Review Primary Discharge Location Attachment B.3b Map 3									Checked	P Chambers		
Drawing Number 229379472-MMD-00-XX-DR-C-0103									Approved	R Mansfield		
									Scale at A3 1:5,000			

SECTION B – GENERAL

Attachment B4: Main drainage scheme & Pump location P&ID

- Attachment B.4a: Youghal WWTP & Pump Station P & ID 1 of 2
- Attachment B.4b: Youghal WWTP & Pump Station P & ID 2 of 2

*For inspection purposes only.
Consent of copyright owner required for any other use.*

IF IN DOUBT ASK

DO NOT SCALE OFF THIS DRAWING

GENERAL NOTES:

LEGEND

- GATE/BUTTERFLY VALVE
- NON RETURN VALVE
- SOLENOID VALVE
- HANDSTOP VALVE
- ACTUATED VALVE
- MODULATED VALVE
- FLOWMETER
- SAMPLE POINT
- PUMP
- MOTOR
- MOTOR c/w VSD
- CALIBRATION COLUMN
- FLOW INDICATOR
- DO PROBE
- MLSS (MIXED LIQUOR)
- AUTOMATIC SAMPLER
- AIR FLOW METER
- PRESSURE SENSOR
- TEMPERATURE SENSOR
- LIFTING WINCH
- LEVEL TRANSMITTER INDICATOR FIELD MOUNTED
- U/S = ULTRASONIC LEVEL SENSOR
- AIR BLOWER
- PENSTOCK
- COMPRESSOR
- MIXER
- BAUER CONNECTION
- ODOUR CONTROL
- P = PUMP
- B = BLOWER
- M = MOTOR
- V = VALVE
- AV = ACTUATED VALVE
- SV = SOLENOID VALVE
- NRV = NON RETURN VALVE
- AFS = AIR FLOW SWITCH
- FM = IN LINE FLOWMETER
- SS = SAFETY SWITCH
- MP = MANUAL PENSTOCK
- AP = ACTUATED PENSTOCK
- TB = TIPPING BUCKET
- P = PIPELINE
- T = TANK NUMBER
- S = SUMP NUMBER
- LB = HYDROSTATIC LEVEL BULB
- CONTAINED / SLEAVED PIPEWORK
- AIRDUCT CONTROL DAMPER

Rev	Drawn	Chkd	Apprd	Date	Description
C	CK	PN		15.10.19	AS BUILT
B	CK	PN		20.02.19	AS BUILT
A	LM	PN		04.07.18	AS BUILT
7	MD'S	PN		06-03-17	ISSUED FOR CONSTRUCTION
6	MD'S	PN		21-12-16	MINOR MODS TO DPPS-From Client
5	MD'S	PN		06-12-16	MINOR MODS TO DPPS
4	MD'S	PN		29-11-16	MOD'S AS PER CLIENT COMMENTS
3	MD'S	PN		09-09-16	UPDATED AS PER CLIENT COMMENTS
2	MD'S	PN		24-05-16	UPDATED AS PER CLIENT COMMENTS
1	MD'S	PCB	PN	04-03-16	ISSUED FOR APPROVAL
0	SM	PN	MS	17-02-16	INITIAL ISSUE

Drawing Status:				AS BUILT	
Drawing Scale:	NTS	Drawn By:	SM		
Original Size:	A1	Date:	FEB 16		

Business & Technology Park,
Queretown,
Mallow, Co.Cork,
Phone: 022-31200
Email: contracts@epswater.com

IN ASSOCIATION WITH
FINBARR GANNON & CO. LTD.
CONSULTING ENGINEERS
2A RIVER HOUSE 86-88 RIVER PARK, BLACKPOOL, CO.KEE
TEL: 011-439600 FAX: 011-439606 E-MAIL: info@fgcl.ie WEB: www.fgcl.ie

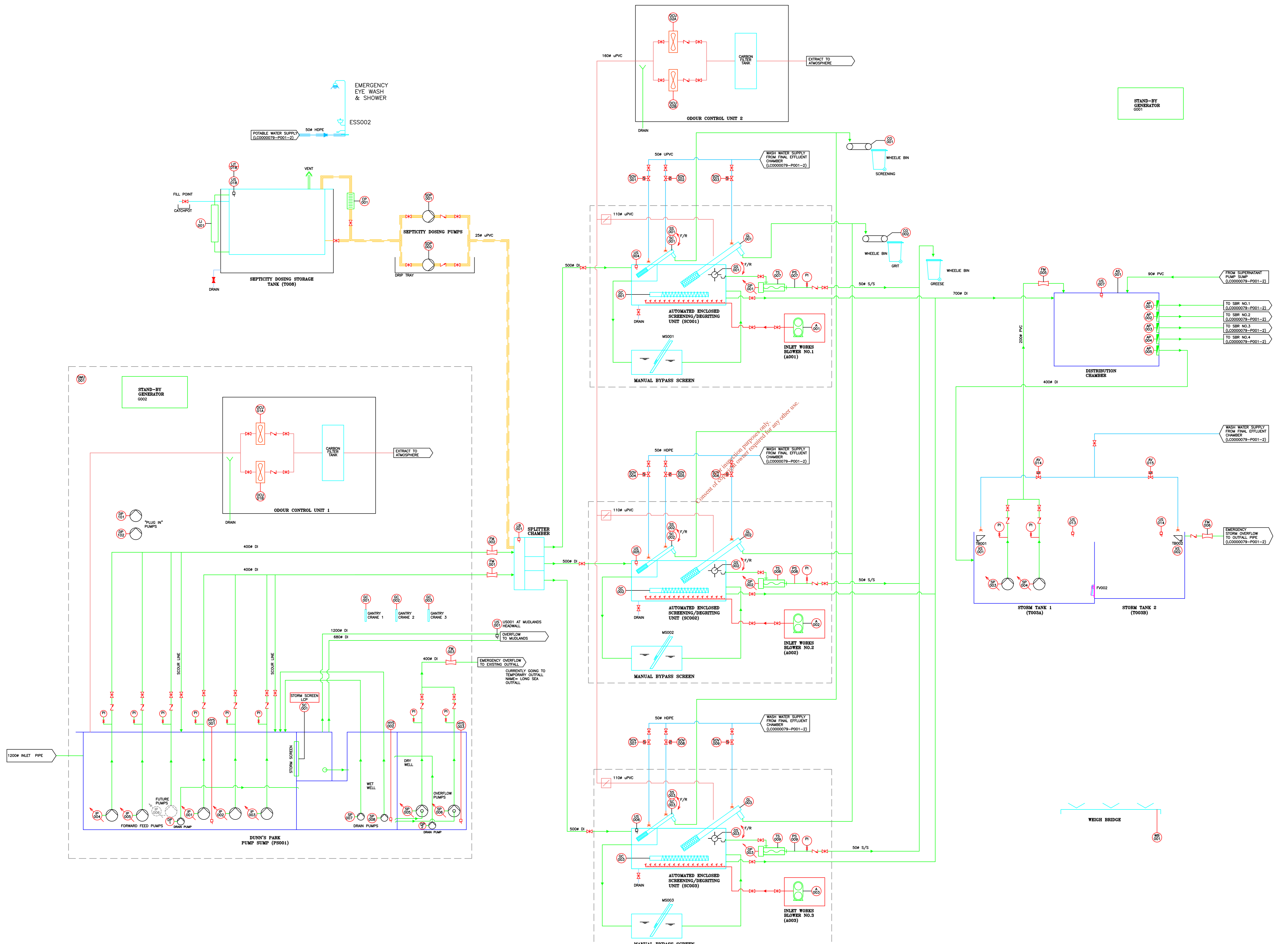
Scheme Name:
YOUGHAL MAIN DRAINAGE SCHEME WWTP

Drawing Title:
YOUGHAL WWTP & PUMP STATION P & ID SHEET 1 OF 2

Client:
IRISH WATER

Consulting Engineers:
ATKINS

EPS Ref:	LC0000079	Status:	AB
Drawing No.:	LC0000079-YL-P001-1	Rev.:	C



COPYRIGHT: This drawing is protected by copyright and must not be reproduced in any form without the prior written consent of EPS, Pumping & Treatment Systems.

IF IN DOUBT ASK

DO NOT SCALE OFF THIS DRAWING

GENERAL NOTES:



LEGEND

- GATE/BUTTERFLY VALVE
- NON RETURN VALVE
- SOLENOID VALVE
- HANDSTOP VALVE
- ACTUATED VALVE
- MODULATED VALVE
- FLOWMETER
- SAMPLE POINT
- PUMP
- MOTOR
- MOTOR c/w VSD
- CALIBRATION COLUMN
- FLOW INDICATOR
- DO PROBE
- MLSS (MIXED LIQUOR)
- AUTOMATIC SAMPLER
- AIR FLOW METER
- PRESSURE SENSOR
- TEMPERATURE SENSOR
- LIFTING WINCH
- LEVEL TRANSMITTER INDICATOR FIELD MOUNTED
- U/s = ULTRASONIC LEVEL SENSOR
- AIR BLOWER
- PENSTOCK
- COMPRESSOR
- MIXER
- BAUER CONNECTION
- ODOUR CONTROL
- P = PUMP
- B = BLOWER
- M = MOTOR
- V = VALVE
- AV = ACTUATED VALVE
- SV = SOLENOID VALVE
- NRV = NON RETURN VALVE
- AFS = AIR FLOW SWITCH
- FM = INLINE FLOWMETER
- SS = SAFETY SWITCH
- MP = MANUAL PENSTOCK
- AP = ACTUATED PENSTOCK
- TB = TIPPING BUCKET
- P = PIPELINE
- T = TANK NUMBER
- S = SUMP NUMBER
- LB = HYDROSTATIC LEVEL BULB
- CONTAMINATED / SLEAVED PIPEWORK
- AIRDUCT CONTROL DAMPER

Rev	Drawn	Chkd	Apprd	Date	Description
C	CK		PN	15.10.19	AS BUILT
B	CK		PN	20.02.19	AS BUILT
A	LM		PN	04.07.18	AS BUILT
7	MD'S		PN	06-03-17	ISSUED FOR CONSTRUCTION
6	MD'S		PN	21-12-16	MINOR MODS TO DPPS-From Client
5	MD'S		PN	06-12-16	MINOR MODS TO DPPS
4	MD'S		PN	29-11-16	MOD'S AS PER CLIENT COMMENTS
3	MD'S		PN	09-09-16	UPDATED AS PER CLIENT COMMENTS
2	MD'S		PN	24-05-16	UPDATED AS PER CLIENT COMMENTS
1	MD'S		PCB PN	04-03-16	ISSUED FOR APPROVAL
0	SM		PN MS	17-02-16	INITIAL ISSUE

Drawing Status: AS BUILT

Drawing Scale:	NTS	Drawn By:	SM
Original Size:	A1	Date:	FEB 16

Business & Technology Park,
 Quarterfarms,
 Mallow, Co. Cork,
 Phone: 022-31200
 Email: contracts@epswater.com

IN ASSOCIATION WITH
FINBARR GANNON & CO. LTD.
 CONSULTING ENGINEERS
 2A RIVER HOUSE 86-88 RIVER PARK, BUCKLEBOURNE, CO. KEE
 TEL: 01-4794900 FAX: 01-4794906 E-MAIL: info@fgcl.ie WEB: www.fgcl.ie

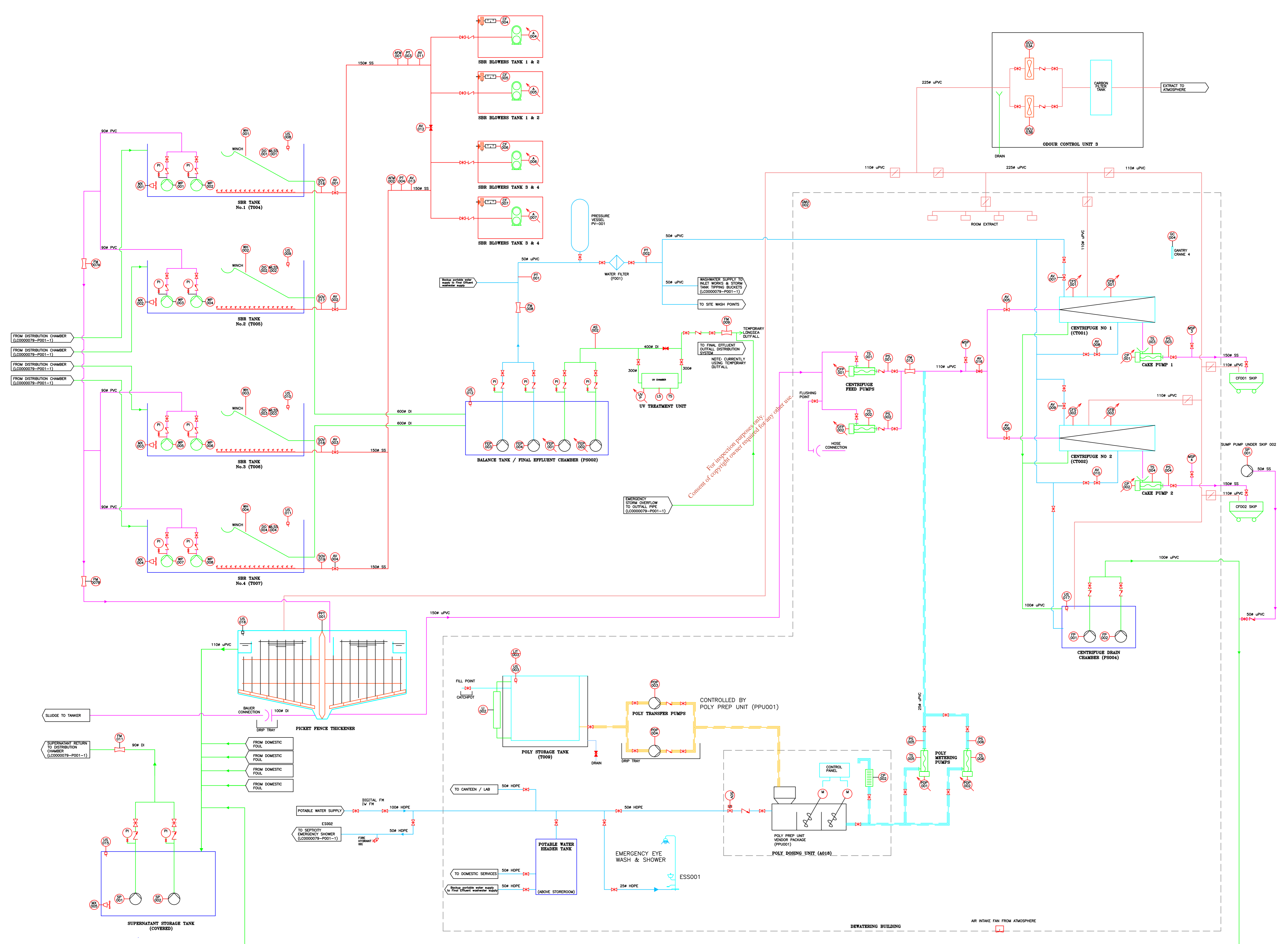
Scheme Name: **YOUGHAL MAIN DRAINAGE SCHEME WWTP**

Drawing Title: **YOUGHAL WWTP & PUMP STATION P & ID SHEET 1 OF 2**

Client: **IRISH WATER**

Consulting Engineers: **ATKINS**

EPS Ref:	LC0000079	Status:	AB
Drawing No.:	LC0000079-YL-P001-2	Rev.:	C



For indicative purposes only.
 Consent of copyright owner required for any other use.

COPYRIGHT: This drawing is protected by copyright and must not be reproduced in any form without the prior written consent of EPS S. Pumping & Treatment Systems.