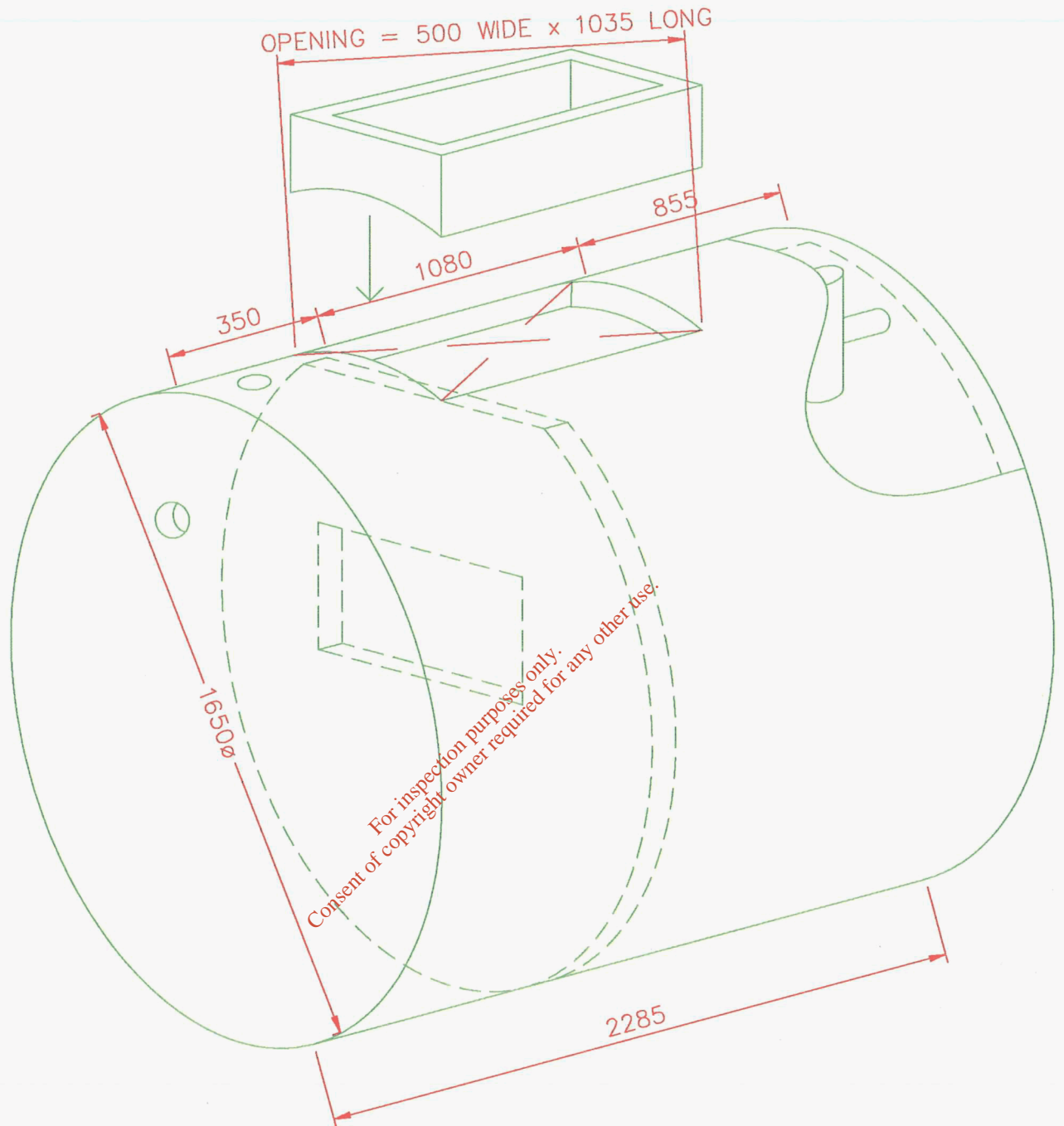


4000 LITRE PRECAST CONCRETE SEPTIC TANK



**SHAY
MURTAGH**

RAHARNEY, MULLINGAR, CO. WESTMEATH
 Phone:(044)74108/74149 Fax:(044)74552
 email: sales@shaymurt.com

Dimensions (in Millimeters)

Dia 1800 Bottom of tank to bottom
 Length 2400 of inlet 1500mm

Hole Size	Details
Width 2000	Inlet & Outlet UPVC
Depth 1900	Fitting 100mm dia
Length 2600	

Manhole Dimensions 1220 x 750 x 480mm