

IF IN DOUBT ASK

DO NOT SCALE OFF THIS DRAWING

GENERAL NOTES:

LEGEND

- GATE/BUTTERFLY VALVE
- NON RETURN VALVE
- SOLENOID VALVE
- HANDSTOP VALVE
- ACTUATED VALVE
- MODULATED VALVE
- FLOWMETER
- SAMPLE POINT
- PUMP
- MOTOR
- MOTOR c/w VSD
- CALIBRATION COLUMN
- FLOW INDICATOR
- DO PROBE
- MLSS (MIXED LIQUOR)
- AUTOMATIC SAMPLER
- AIR FLOW METER
- PRESSURE SENSOR
- TEMPERATURE SENSOR
- LIFTING WINCH
- LEVEL TRANSMITTER INDICATOR FIELD MOUNTED
- U/s = ULTRASONIC LEVEL SENSOR
- AIR BLOWER
- PENSTOCK
- COMPRESSOR
- MIXER
- BAUER CONNECTION
- ODOUR CONTROL
- P = PUMP
- B = BLOWER
- M = MOTOR
- V = VALVE
- AV = ACTUATED VALVE
- SV = SOLENOID VALVE
- NRV = NON RETURN VALVE
- AFS = AIR FLOW SWITCH
- FM = IN LINE FLOWMETER
- SS = SAFETY SWITCH
- MP = MANUAL PENSTOCK
- AP = ACTUATED PENSTOCK
- TB = TIPPING BUCKET
- P = PIPELINE
- T = TANK NUMBER
- S = SUMP NUMBER
- LB = HYDROSTATIC LEVEL BULB
- CONTAINED / SLEAVED PIPEWORK
- AIRTIGHT CONTROL DAMPER

Rev	Drawn	Chkd	Apprd	Date	Description	
C	CK		PN	15.10.19	AS BUILT	
B	CK		PN	20.02.19	AS BUILT	
A	LM		PN	04.07.18	AS BUILT	
7	MD'S		PN	06-03-17	ISSUED FOR CONSTRUCTION	
6	MD'S		PN	21-12-16	MINOR MODS TO DPPS-From Client	
5	MD'S		PN	06-12-16	MINOR MODS TO DPPS	
4	MD'S		PN	29-11-16	MOD'S AS PER CLIENT COMMENTS	
3	MD'S		PN	09-09-16	UPDATED AS PER CLIENT COMMENTS	
2	MD'S		PN	24-05-16	UPDATED AS PER CLIENT COMMENTS	
1	MD'S		PCB	PN	04-03-16	ISSUED FOR APPROVAL
0	SM		PN	MS	17-02-16	INITIAL ISSUE

Drawing Status: AS BUILT			
Drawing Scale:	NTS	Drawn By:	SM
Original Size:	A1	Date:	FEB 16




Business & Technology Park,
 Quarterfarms,
 Mellow, Co.Clare,
 Phone: 022-31200
 Email: contracts@epswater.com

IN ASSOCIATION WITH
FINBARR GANNON & CO. LTD.
 CONSULTING ENGINEERS
 2A RIVER HOUSE 86-88 RIVER PARK, BELFAST, CO. DUBLIN
 TEL: 01-494960 FAX: 01-499606 E-MAIL: info@fgcl.ie WEB: www.fgcl.ie

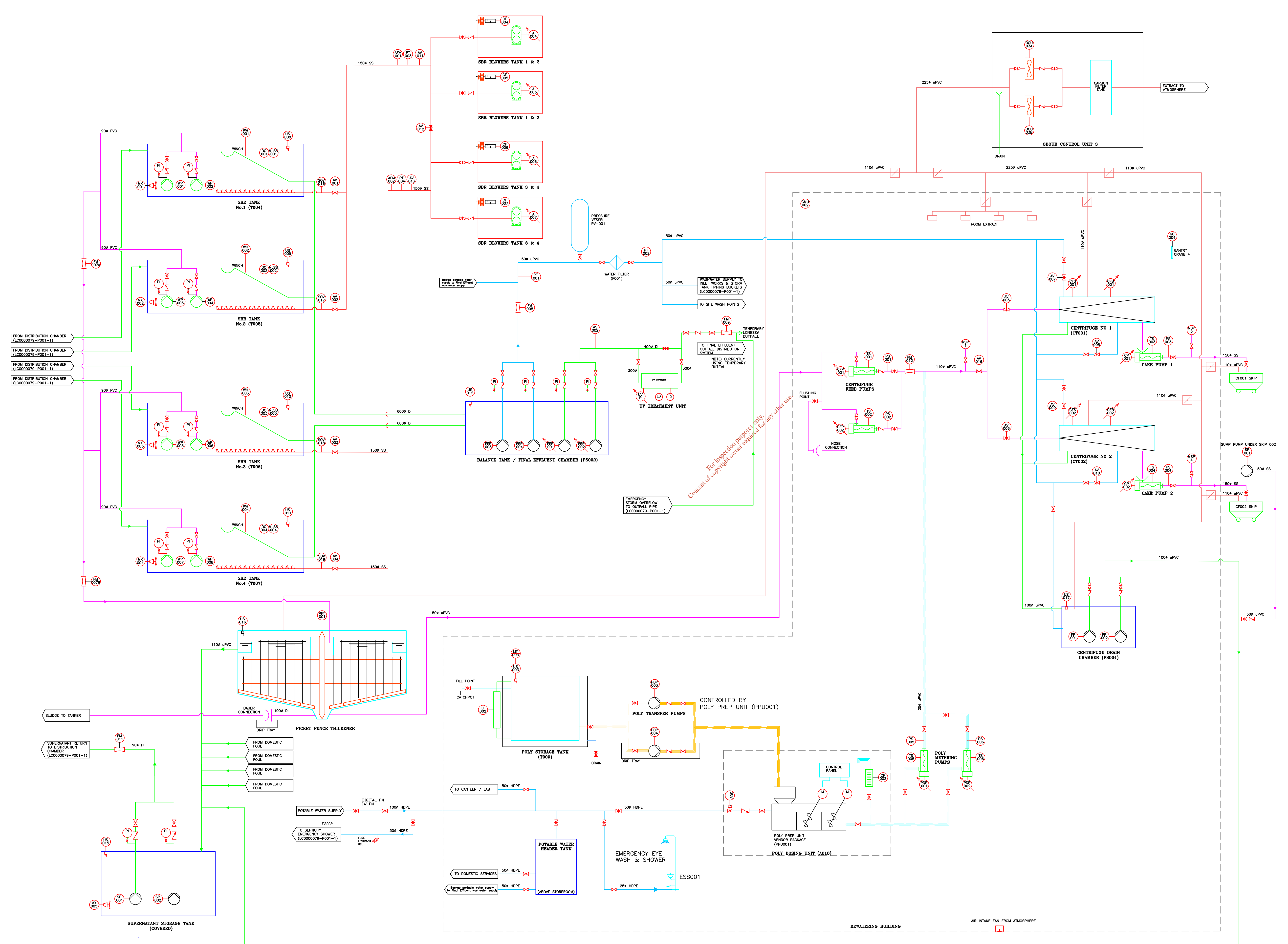
Scheme Name: **YOUGHAL MAIN DRAINAGE SCHEME WWTP**

Drawing Title: **YOUGHAL WWTP & PUMP STATION P & ID SHEET 1 OF 2**

Client: **IRISH WATER**

Consulting Engineers: **ATKINS**

EPS Ref:	LC0000079	Status:	AB
Drawing No.:	LC0000079-YL-P001-2	Rev.:	C



COPYRIGHT: This drawing is protected by copyright and must not be reproduced in any form without the prior written consent of EPS S. Pumping & Treatment Systems.