

No part of this document may be re-produced or transmitted in any form or stored in any retrieval system of any nature without the written permission of the Consulting Engineer as copyright holder except as agreed for use on the project for the document was originally issued.

- Legend:
- LANDFILL SITE BOUNDARY
  - CAPPING BOUNDARY
  - SURFACE WATER DRAINAGE DITCH
  - LEACHATE COLLECTION TRENCH
  - POWER AND TELECOMS DUCTING
  - LIMIT OF WORKS

NOTE: Ordnance Survey Ireland Licence No. EN001602  
© Ordnance Survey Ireland Government of Ireland)

- Notes:
1. Figured Dimensions only to be taken from this drawing.
  2. All Drawings to be checked by the Contractor on site.
  3. Engineer to be informed of any discrepancies before any work commences.
  4. All levels relate to Ordnance Survey Datum at Malin Head.



A	ISSUED FOR CONSTRUCTION, BACKGROUND MAP UPDATED.	MAY 05	CP
Client	suffix revisions	date	ini

DUNDALK TOWN COUNCIL

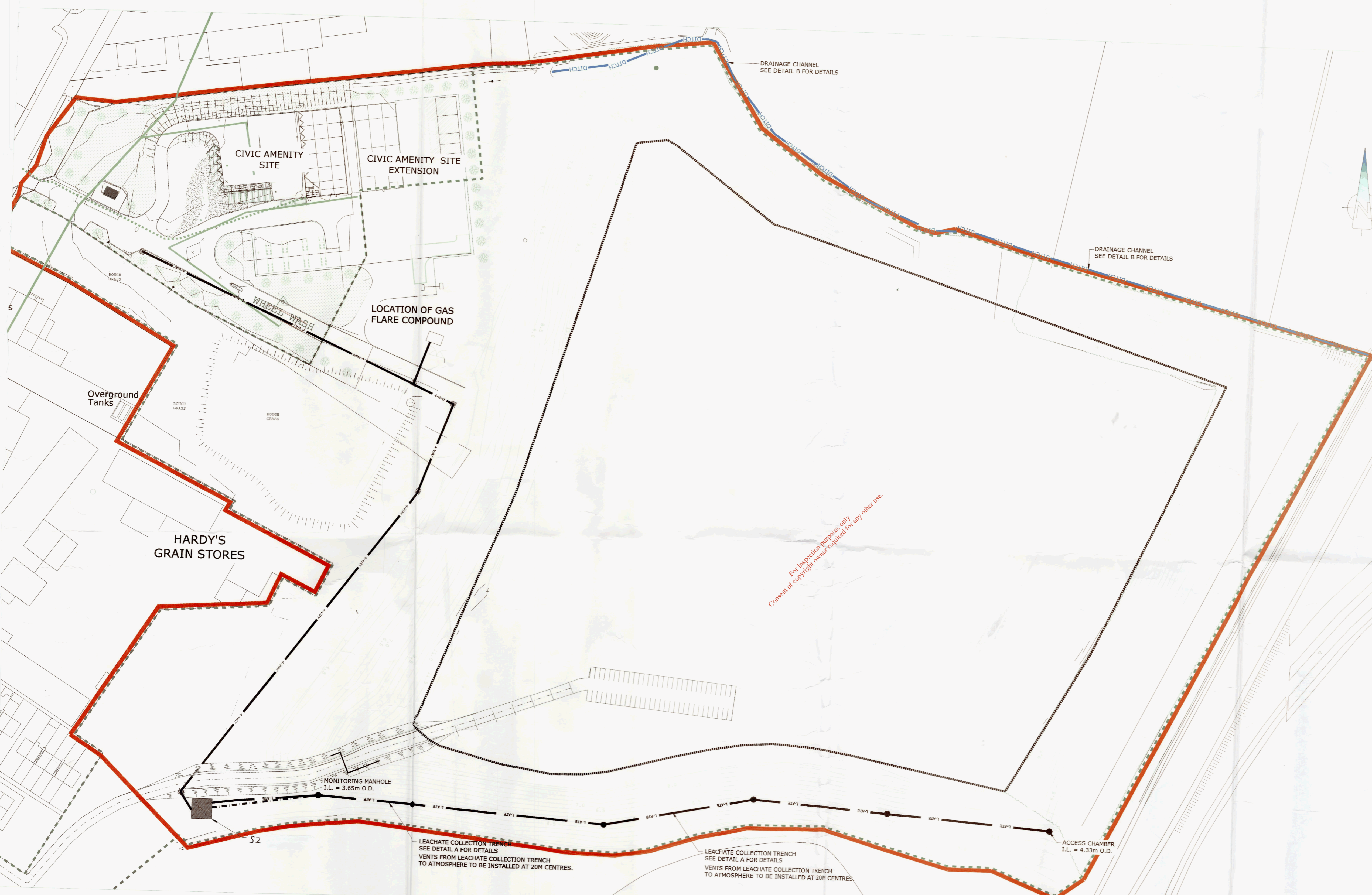
Project  
DUNDALK LANDFILL RESTORATION

Drawing Title  
LAYOUT AND DETAILS OF LEACHATE COLLECTION TRENCH & SURFACE WATER DRAINAGE DITCH

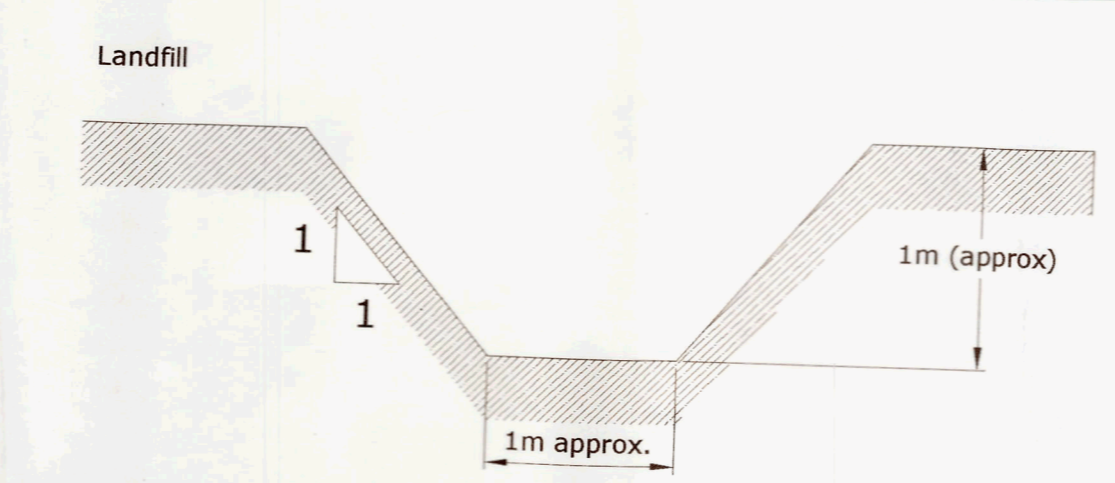
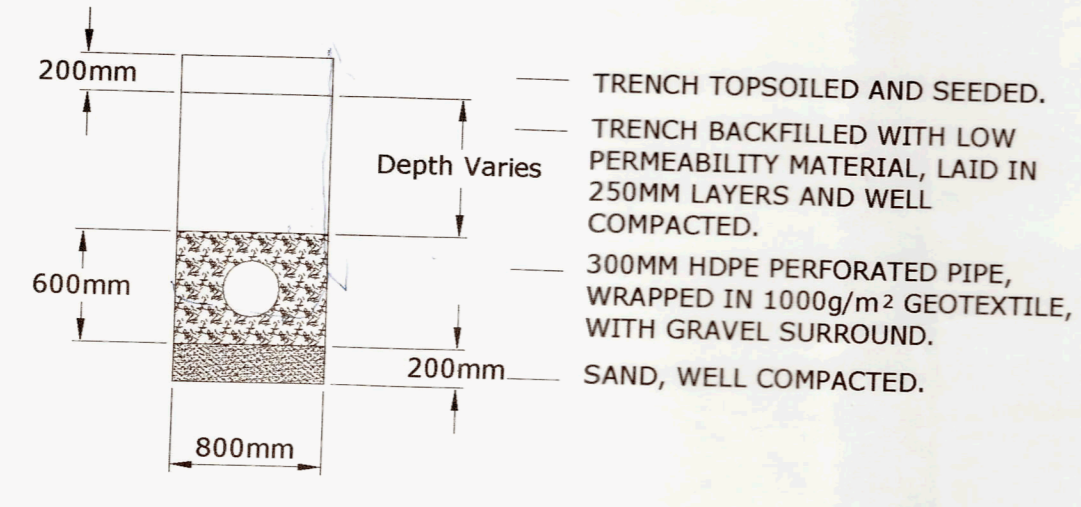
Scale 1:1000	Checked by	Date
Drawn by Colin Peacock	David Conneran	June 2004
ENGINEER IN CHARGE: D. Grehan		

**TES**  
CONSULTING ENGINEERS  
1001-1002  
BLANCHARDSTOWN CORPORATE PARK, DUBLIN 15, IRELAND  
TEL: 01 8000011  
FAX: 01 8000012  
email: administration@tes.ie

Drawing No.	1117/02/115
Rev. A	



For inspection purposes only.  
Consent of copyright owner required for any other use.



CHANNEL TO BE EXCAVATED AND HDPE LINER TO BE ANCHORED INTO PLACE, 350MM BACKFILL TO BE PLACED ON TOP OF LINER. LINER TO BE ANCHORED, 600MM INTO SUBSOIL.

DETAIL B  
DETAIL OF WORKS TO DRAINAGE DITCH, NORTHERN BOUNDARY OF SITE  
(NOT TO SCALE)