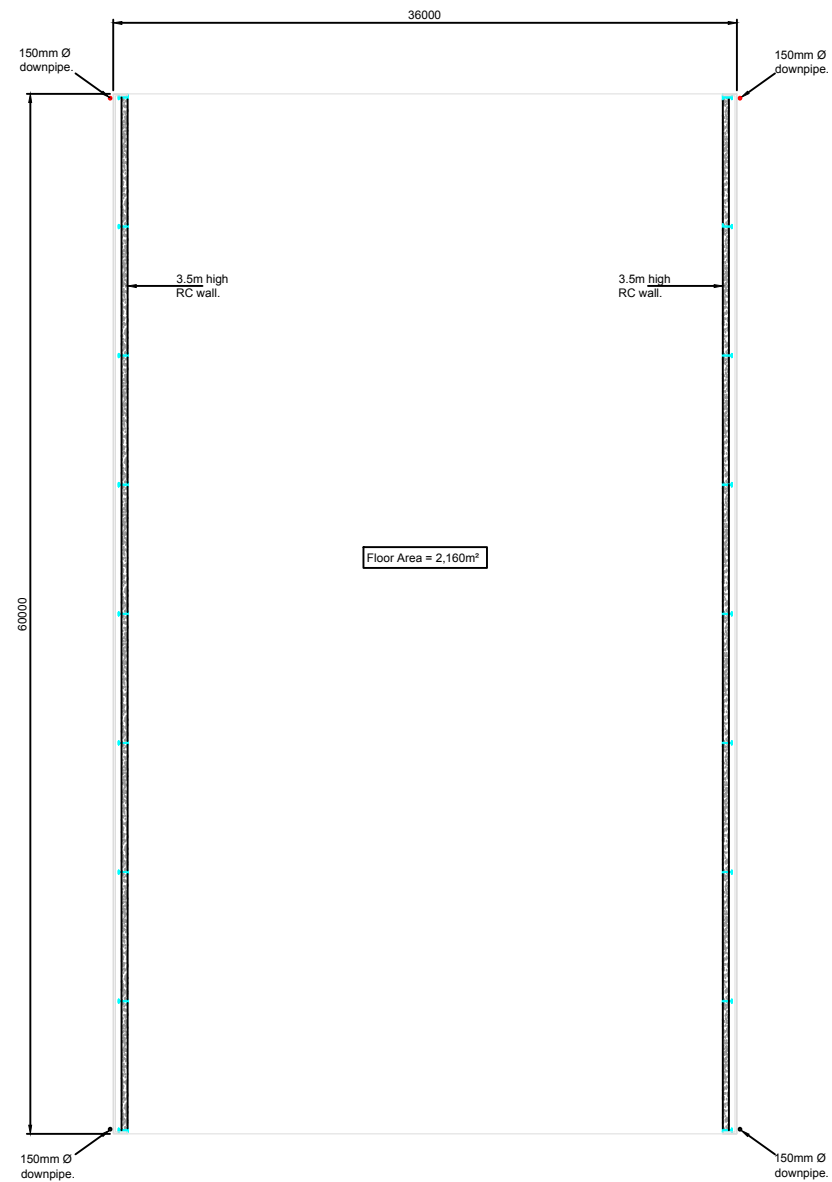


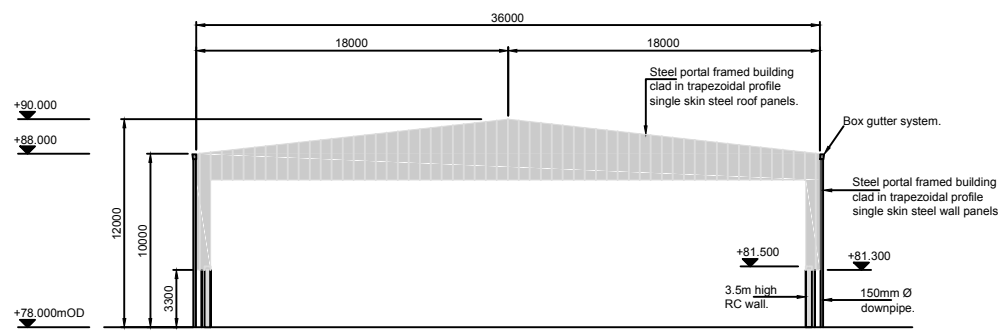
0180.00166.0.FIG\_2-6.Proposed ShedPlan-Elevations.dwg



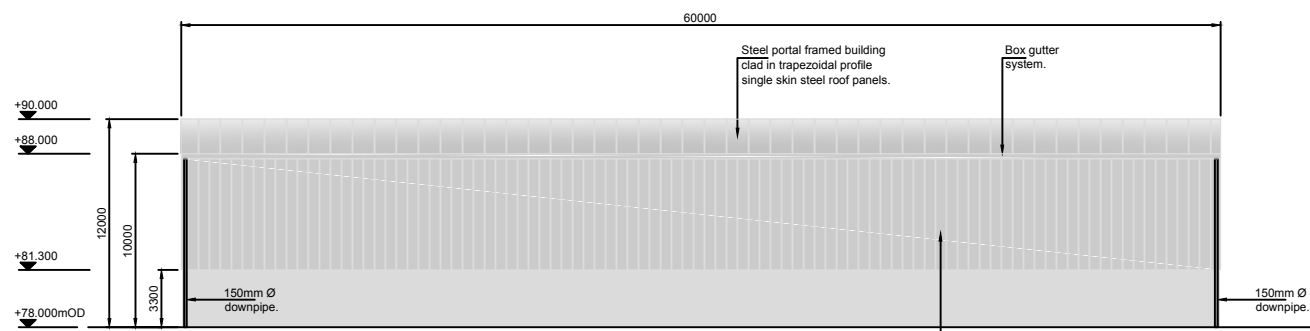
**GROUND FLOOR PLAN**



**ROOF PLAN**



**NORTH ELEVATION  
(SOUTH ELEVATION SIMILAR)**



**EAST ELEVATION  
(WEST ELEVATION SIMILAR)**



- NOTES**
1. This drawing to be read in conjunction with all relevant Architects and Engineers drawings and specifications.
  2. Do not scale this drawing.
  3. All cladding finishes to be colour 'Goose Wing Grey' or similar approved.
  4. Final ground level = 78mOD.

**SLR** SLR CONSULTING IRELAND  
7 DUNDRUM BUSINESS PARK  
WINDY ARBOUR  
DUBLIN 14  
T: +353-1-2964667  
F: +353-1-2964676  
www.slrconsulting.com

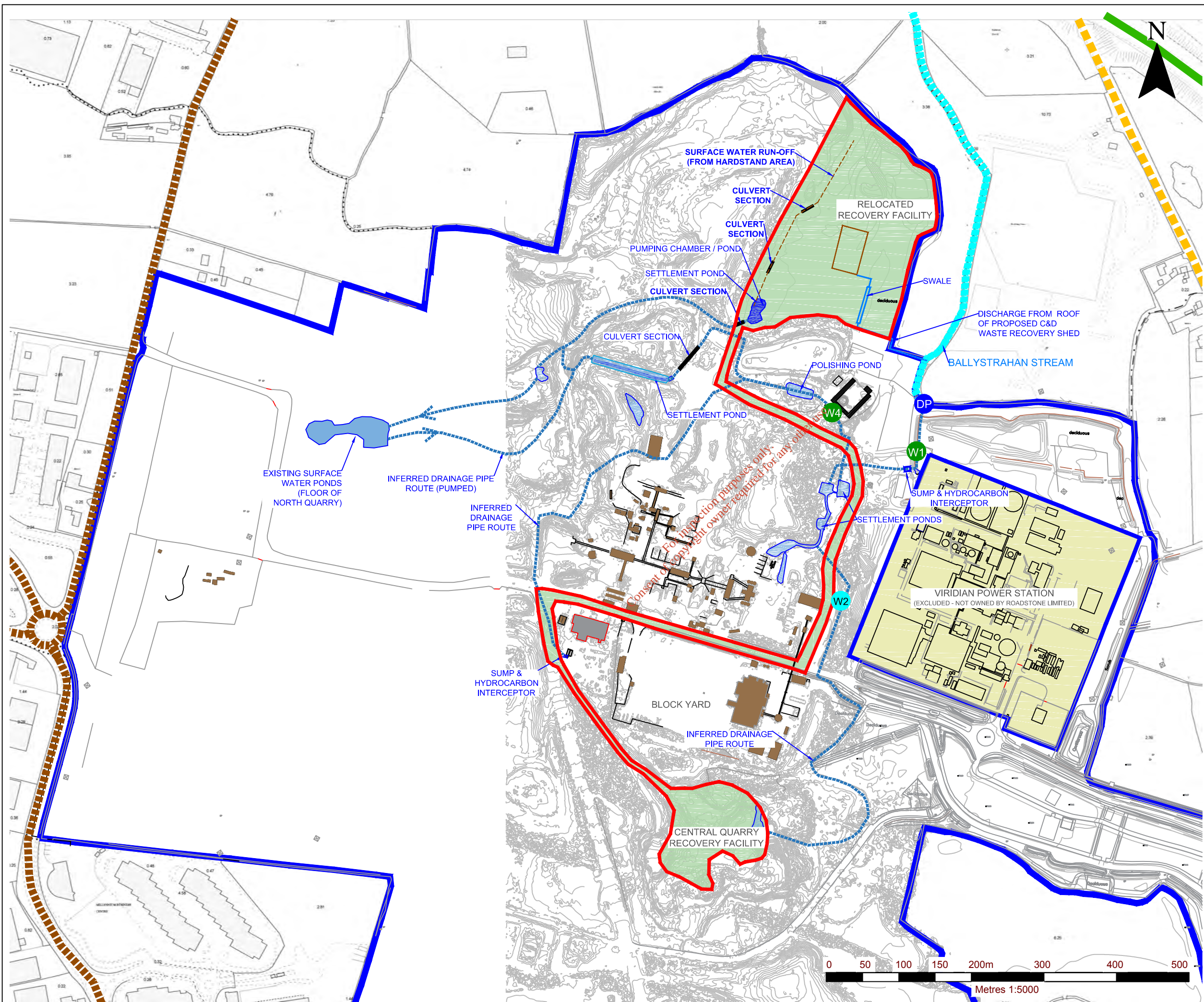
**ROADSTONE LIMITED**  
ENVIRONMENTAL IMPACT STATEMENT  
**C&D WASTE RECOVERY FACILITY**  
HUNTSTOWN QUARRY, FINGLAS, DUBLIN 11  
**PROPOSED OPEN COVERED STORAGE SHED - PLAN & ELEVATIONS**

**FIGURE 2-6**

Scale 1:500 @ A3	Date DECEMBER 2016
---------------------	-----------------------



0180.00166.0.FIG\_2-7.Surface Water Management System.dwg



**NOTES**  
 1. EXTRACT FROM 1:2,500 ORDNANCE SURVEY DIGITAL SHEET NO'S. 3062-A, 3062-B, 3062-C, 3062-D, 3063-A, 3063-C, 3130-A & 3130-B.  
 2. ORDNANCE SURVEY IRELAND LICENCE NO. SU 0000716 (C) ORDNANCE SURVEY & GOVERNMENT OF IRELAND

**LEGEND**

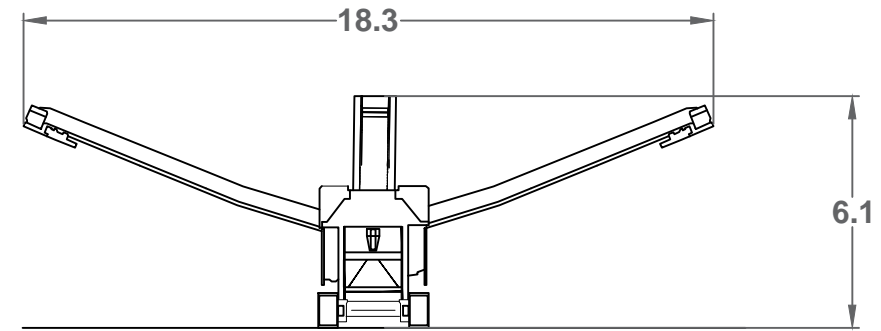
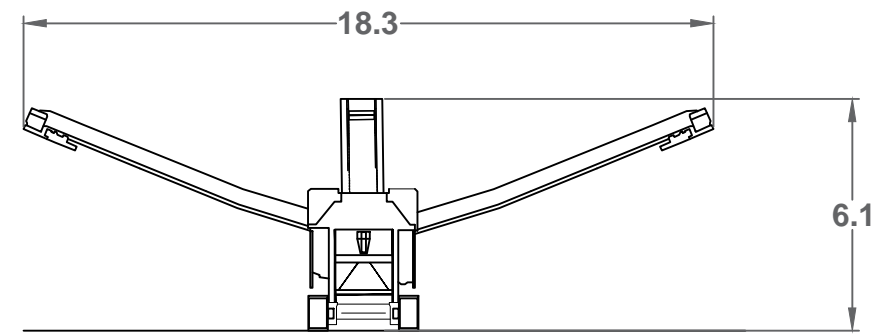
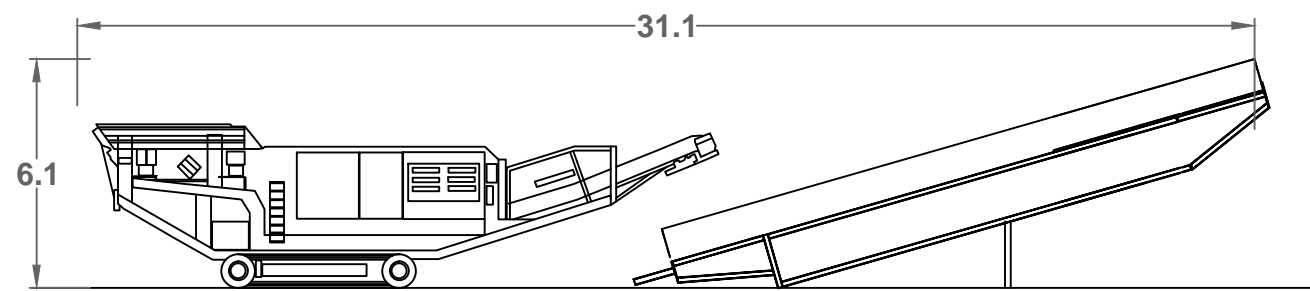
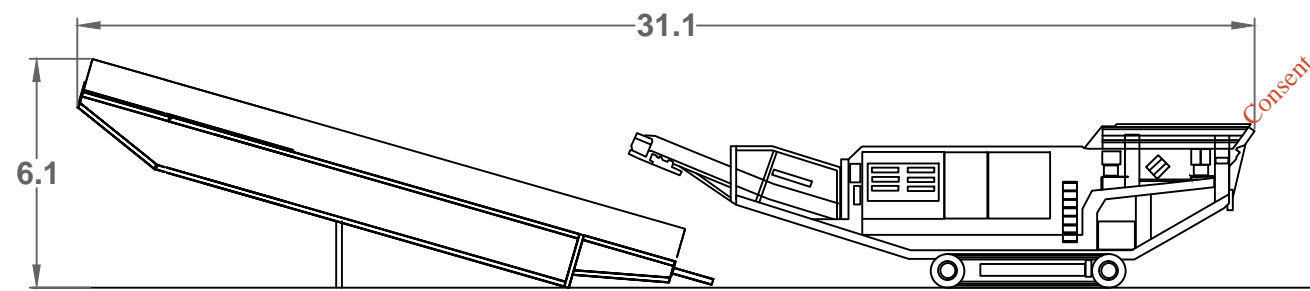
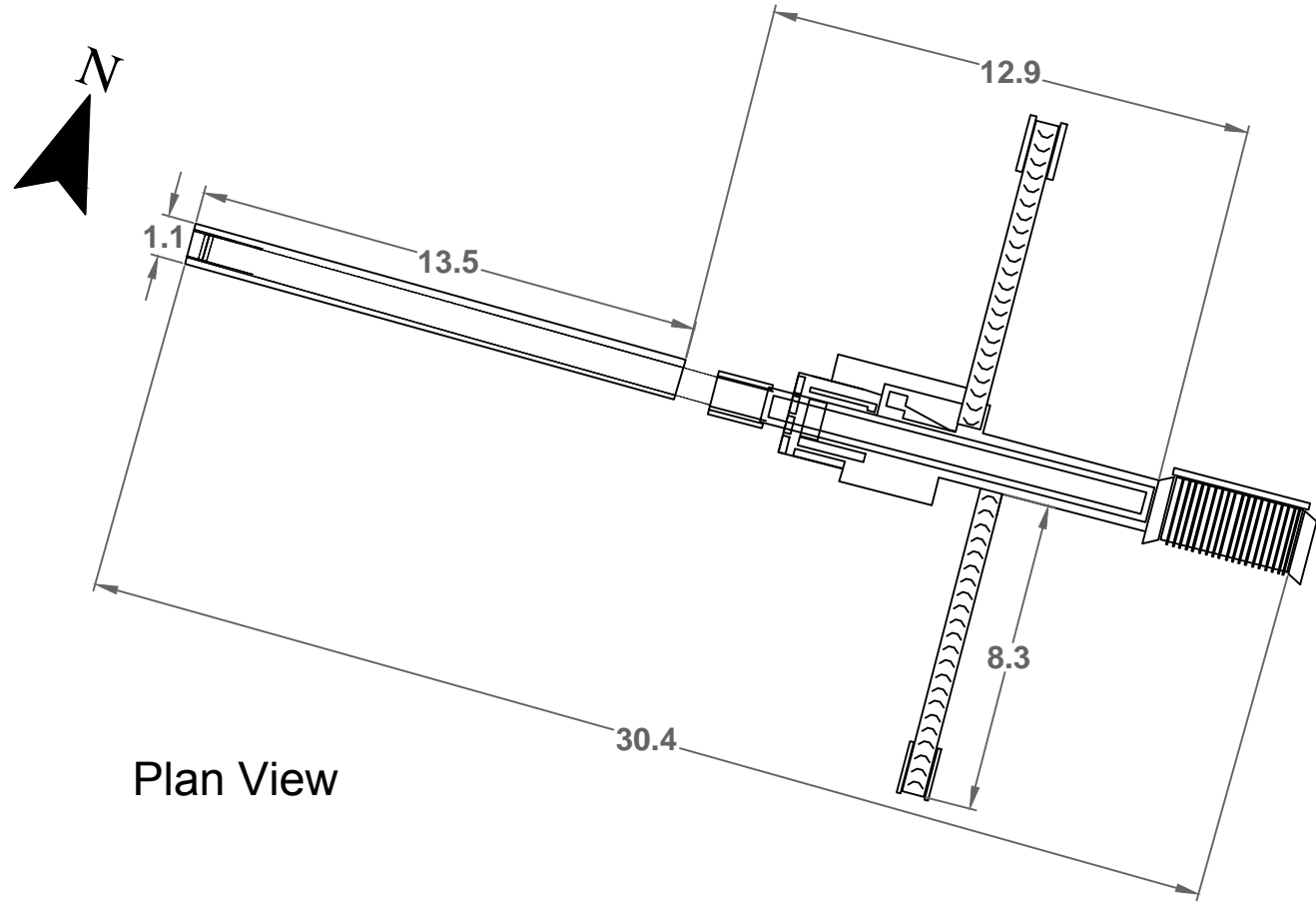
	ROADSTONE LIMITED LAND INTEREST (c. 200.3 ha)
	APPLICATION AREA (c. 8.27 ha)
	N2 DUAL CARRIAGEWAY
	NORTH ROAD (R135)
	BALLYSTRAHAN STREAM
	SURFACE WATER MONITORING LOCATIONS
	DISCHARGE POINT
	SETTLEMENT PONDS

**SLR**  
 global environmental solutions  
 SLR CONSULTING IRELAND  
 7 DUNDRUM BUSINESS PARK  
 WINDY ARBOUR  
 DUBLIN 14  
 T: +353-1-2964667  
 F: +353-1-2964676  
 www.slrconsulting.com

**ROADSTONE LIMITED**  
 ENVIRONMENTAL IMPACT STATEMENT  
**C&D WASTE RECOVERY FACILITY**  
 HUNTSTOWN QUARRY, FINGLAS, DUBLIN 11  
**SURFACE WATER MANAGEMENT SYSTEM**

**FIGURE 2-7**  
 Scale 1:5,000 @ A3  
 Date DECEMBER 2016





For inspection purposes only.  
Consent of copyright owner required for any other use.



NOTES

LEGEND

**SLR** SLR CONSULTING IRELAND  
7 DUNDRUM BUSINESS PARK  
WINDY ARBOUR  
DUBLIN 14  
T: +353-1-2964667  
F: +353-1-2964676  
www.slrconsulting.com

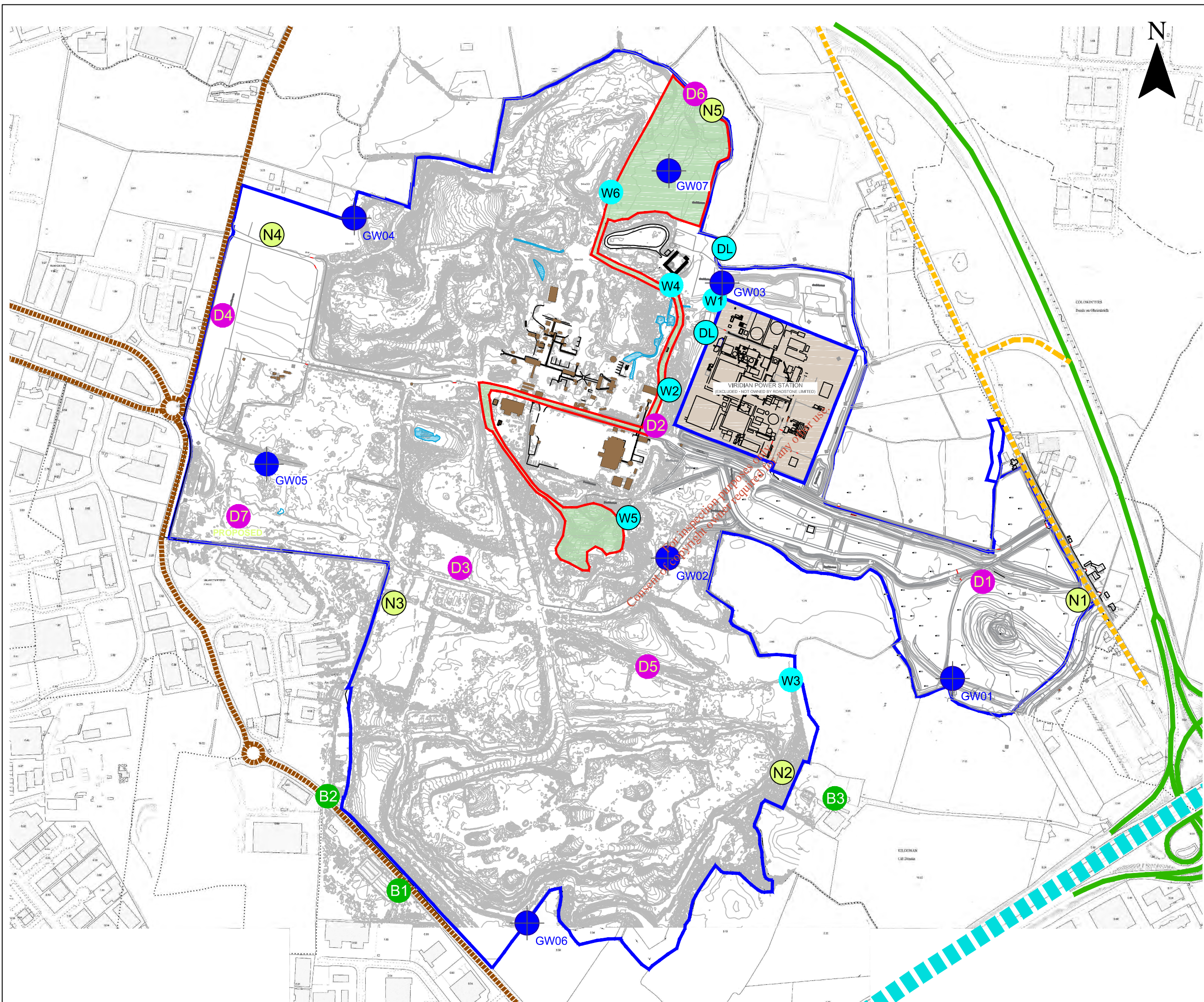
**ROADSTONE LIMITED**  
ENVIRONMENTAL IMPACT STATEMENT  
**C&D WASTE RECOVERY FACILITY**  
HUNTSTOWN QUARRY, FINGLAS, DUBLIN 11  
**MOBILE CRUSHING PLANT DETAILS**  
**PLAN & ELEVATIONS**

**FIGURE 2-8**

Scale 1:200 @ A3 Date DECEMBER 2016



0180.00166.0.FIG\_2-9.Environmental Monitoring Locations.dwg



**NOTES**  
 1. EXTRACT FROM 1:2,500 ORDNANCE SURVEY DIGITAL SHEET NO'S. 3062-A, 3062-B, 3062-C, 3062-D, 3063-A, 3063-C, 3130-A & 3130-B.  
 2. ORDNANCE SURVEY IRELAND LICENCE NO. SU 0000716 (C) ORDNANCE SURVEY & GOVERNMENT OF IRELAND

**LEGEND**

	ROADSTONE LIMITED LAND INTEREST (c. 200.3 ha)
	APPLICATION AREA (c. 8.27 ha)
	N2 DUAL CARRIAGEWAY
	NORTH ROAD (R135)
	LOCAL ROAD
	M50 MOTORWAY
	NOISE MONITORING LOCATION
	DUST MONITORING LOCATION
	GROUNDWATER MONITORING WELL LOCATION
	SURFACE WATER MONITORING LOCATION
	BLAST MONITORING LOCATION

**SLR** global environmental solutions  
 SLR CONSULTING IRELAND  
 7 DUNDUM BUSINESS PARK  
 WINDY ARBOUR  
 DUBLIN 14  
 T: +353-1-2964667  
 F: +353-1-2964676  
 www.slrconsulting.com

**ROADSTONE LIMITED**  
 ENVIRONMENTAL IMPACT STATEMENT  
**C&D WASTE RECOVERY FACILITY**  
 HUNTSTOWN QUARRY, FINGLAS, DUBLIN 11  
 ENVIRONMENTAL MONITORING LOCATIONS

**FIGURE 2-9**

Scale 1:8,000 @ A3 Date DECEMBER 2016