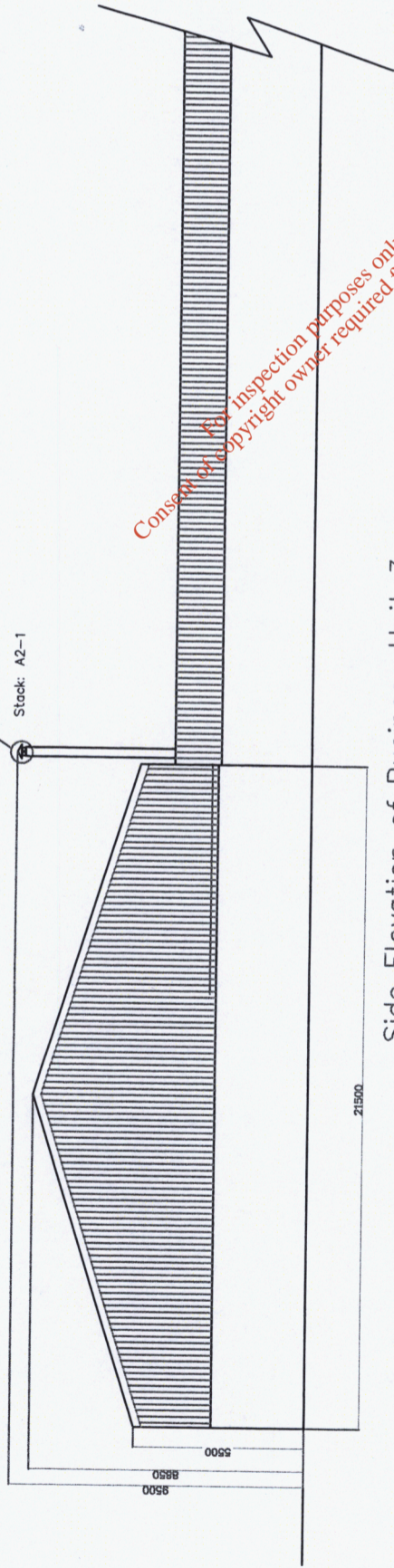
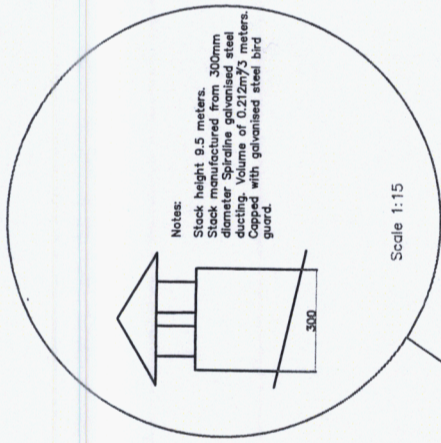
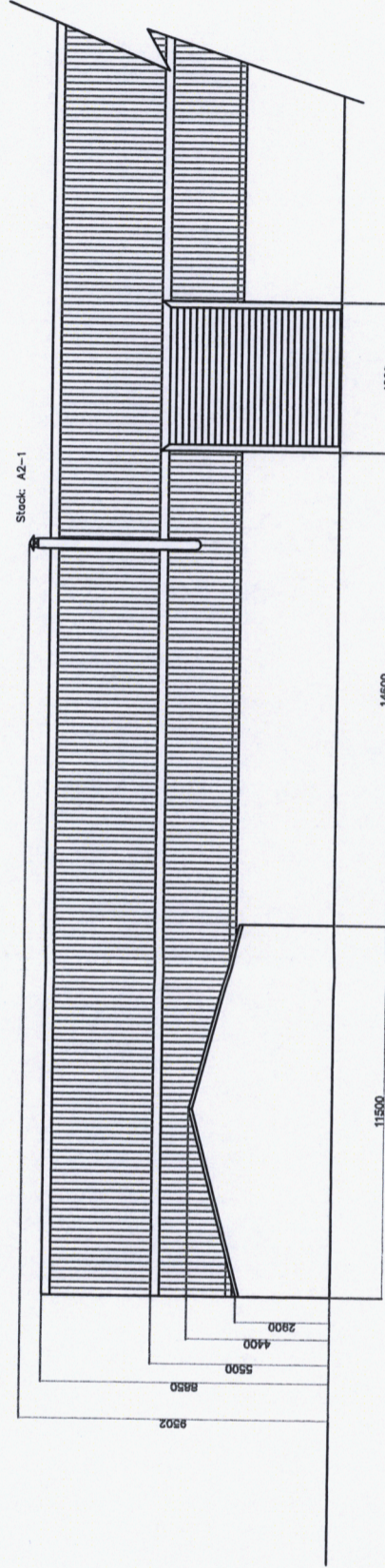


Scale 1:100



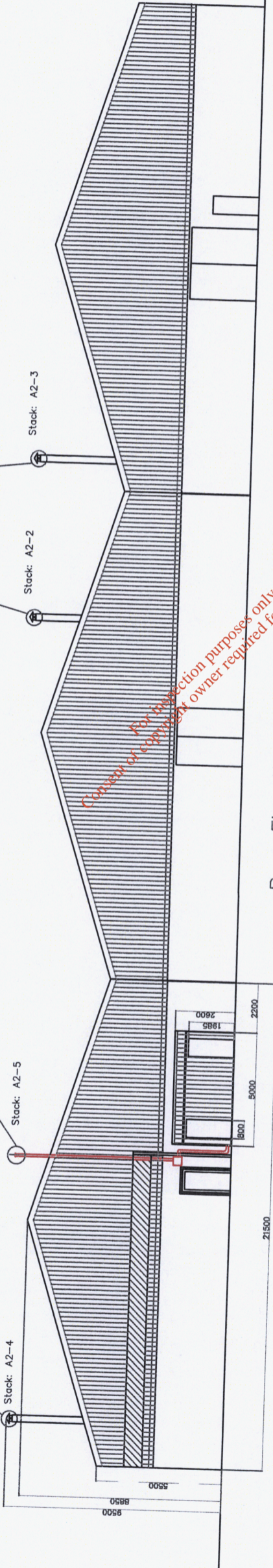
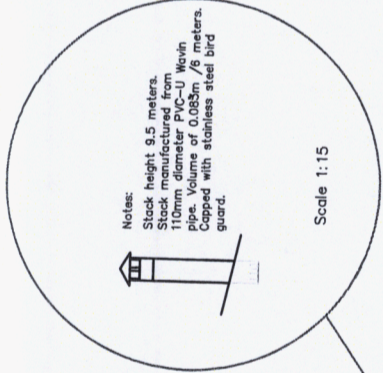
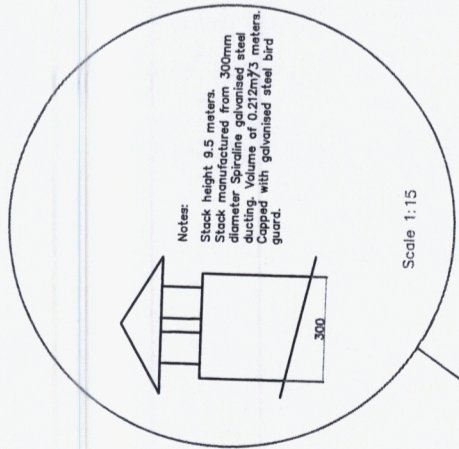
Side Elevation of Business Unit 3



Rear Elevation of Business Unit 3

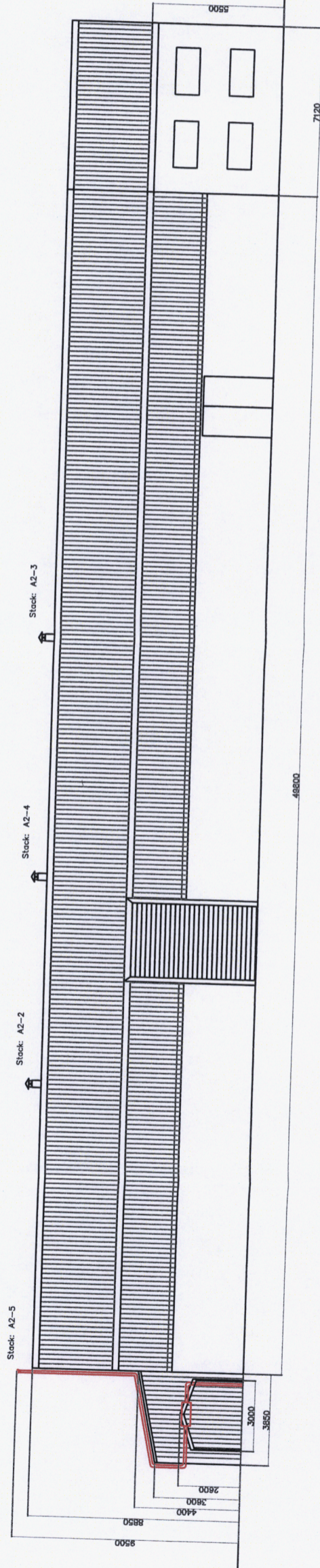
<b>BRUSS</b> G. BRUSS GmbH Sligo Finiskin Road, Co. Sligo.	
Rev: 01	Project No: IIPC Licence Review Application
Scale: 1:100 (1:50, 1:15)	Application No:
Date: June 2014	Drawing: Elevations of BU 3
By:	Drawing No: Application Form Drawing 9

Scale 1:100



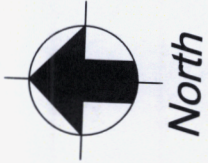
Rear Elevations of BU1 & BU2

For information purposes only. Consent of copyright owner required for any other use.



Side Elevations of BU1 & BU2

<b>BRUSS</b>		<b>G. BRUSS GmbH Sligo</b> <small>Finiskin Road, Co. Sligo.</small>	
Rev: 01	Project No: IIPC Licence Review Application		
Scale: 1:100 (1:50, 1:15)	Application No:		
Date: June 2014	Drawing: Elevations of BU1 & BU2		
By:	Drawing No: Application Form Drawing 8		

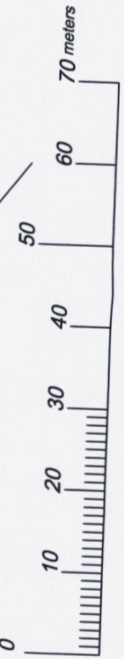


Schools

FINISKLIN ROAD

For inspection purposes only.  
No part of copyright owner required for any other use.

Scale 1:1000



168300mE

168400mE

168500mE

168600mE

336400mN

336350mN

336300mN

336250mN

Legend	
Foul Water	→
Surface Water	→
Man Hole I.D.	(S28)
Note	↖
Pipe Diameter	— 150 —
SE - 1	↖

Ordnance Survey / Ireland Project Licence No: 25204719 © Government of Ireland	
<b>BRUSS</b>	<b>G. BRUSS GmbH Sligo</b> Finisklin Road, Co. Sligo.
Rev: 01	Project No: IIPC Licence Review Application
Scale: 1:1000	Application No:
Date: August 2014	Drawing:
By:	Drawing No: Application Form Drawing 4