

- GENERAL LEGEND**
- ACTIVITY BOUNDARY
 - PROPOSED ROAD
 - PROPOSED HARDSTAND
 - PROPOSED ATTENUATION POND
 - PROPOSED GREEN AREA
 - PROPOSED BUILDINGS
 - PROPOSED LANDSCAPED SCREENING BERM
 - PROPOSED POWER SUPPLY DUCTING
 - PROPOSED COMMS DUCTING
 - FINISHED ROAD LEVEL FRL +###.##
 - FINISHED FLOOR LEVEL FFL +###.##
 - PROPOSED STREET LIGHTING
 - PROPOSED LANDSCAPED SCREENING BERM

- NOTES:**
1. FIGURED DIMENSIONS ONLY TO BE TAKEN FROM THIS DRAWING.
 2. ALL DRAWINGS TO BE CHECKED BY THE CONTRACTOR ON SITE.
 3. ENGINEER/EMPLOYERS REPRESENTATIVE, AS APPROPRIATE, TO BE INFORMED BY THE CONTRACTOR OF ANY DISCREPANCIES BEFORE ANY WORK COMMENCES.
 4. THE CONTRACTOR SHALL UNDERTAKE A THOROUGH CHECK FOR THE ACTUAL LOCATION OF ALL SERVICES/UTILITIES, ABOVE AND BELOW GROUND, BEFORE ANY WORK COMMENCES.
 5. ALL LEVELS SHOWN RELATE TO ORDANCE SURVEY DATUM AT MALIN HEAD.

Issue	Date	Description	By	Chkd.
A	27.06.12	ISSUED FOR WASTE LICENCE	M.N.	D.C.

Client:


Project:
DREHID MECHANICAL BIOLOGICAL TREATMENT (MBT) FACILITY

Title:
FACILITY INFRASTRUCTURE & SERVICES GENERAL ARRANGEMENT

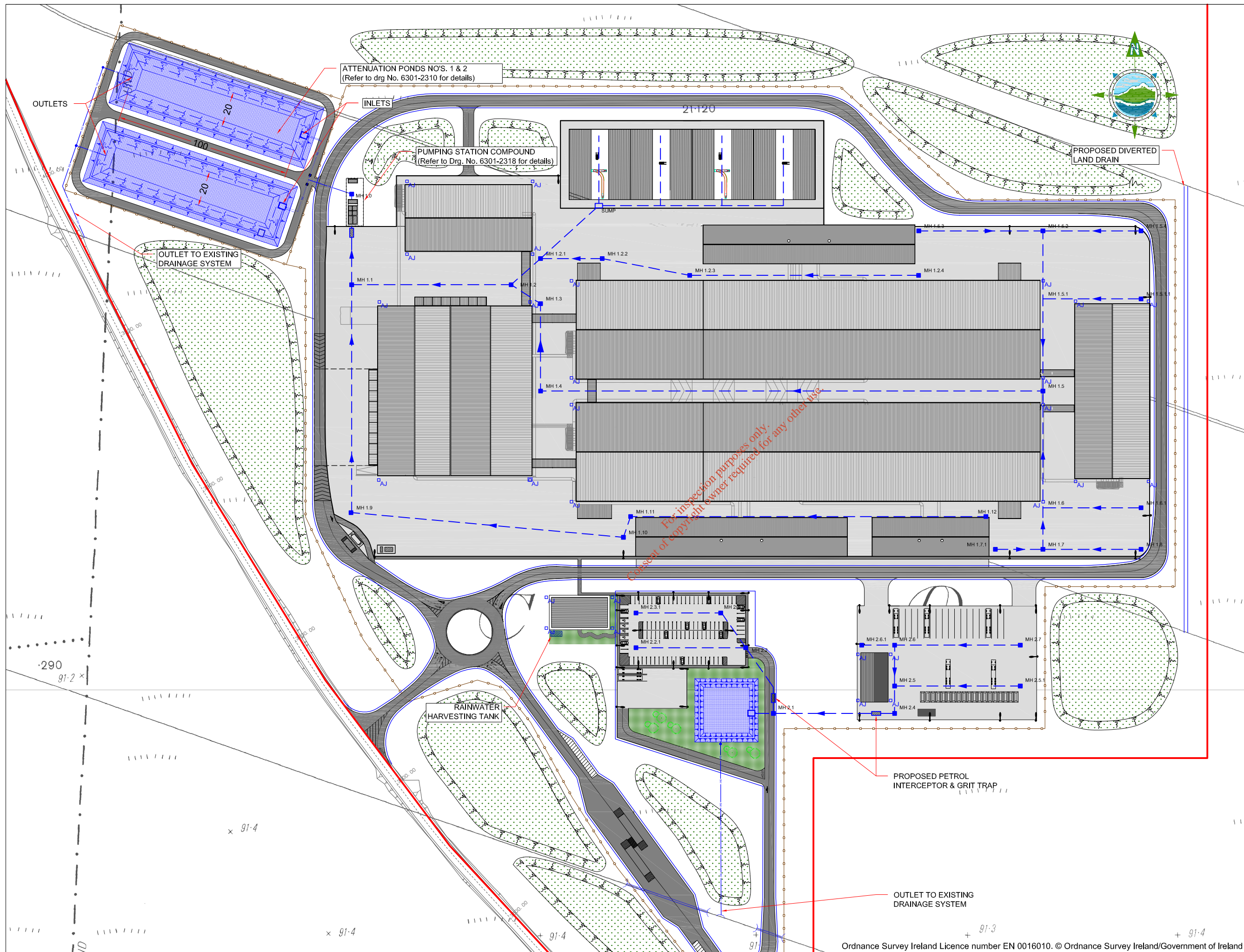
Scale @ A3: 1:2,500

Prepared by: M. Nolan Checked: D. Conneran Date: May 2012

Project Director: D. Grehan


 Patrick J. Tobin & Co. Ltd.
 Consulting, Civil and Structural Engineers,
 Block 10-4, Blanchardstown Corporate Park,
 Dublin 15, Ireland.
 tel: +353-(0)1-8030406
 fax: +353-(0)1-8030409
 e-mail: info@tobin.ie
 www.tobin.ie

Drawing No.: **6301-2304** Issue: **A**



- GENERAL LEGEND**
- ACTIVITY BOUNDARY
 - PROPOSED ROAD
 - PROPOSED HARDSTAND
 - PROPOSED ATTENUATION POND
 - PROPOSED GREEN AREA
 - PROPOSED BUILDINGS
 - PROPOSED LANDSCAPED SCREENING BERM
- DRAINAGE LEGEND**
- PROPOSED SURFACE WATER DRAIN
 - PROPOSED FRENCH DRAIN
 - PROPOSED ATTENUATION POND
 - PROPOSED SURFACE WATER MH
 - PROPOSED DIVERTED DRAINAGE DITCH
 - AJ'S FOR DRAINAGE OF BUILDING ROOFS

- NOTES:**
1. FIGURED DIMENSIONS ONLY TO BE TAKEN FROM THIS DRAWING.
 2. ALL DRAWINGS TO BE CHECKED BY THE CONTRACTOR ON SITE
 3. ENGINEER/EMPLOYERS REPRESENTATIVE, AS APPROPRIATE, TO BE INFORMED BY THE CONTRACTOR OF ANY DISCREPANCIES BEFORE ANY WORK COMMENCES
 4. THE CONTRACTOR SHALL UNDERTAKE A THOROUGH CHECK FOR THE ACTUAL LOCATION OF ALL SERVICES/UTILITIES, ABOVE AND BELOW GROUND, BEFORE ANY WORK COMMENCES
 5. ALL LEVELS SHOWN RELATE TO ORDNANCE SURVEY DATUM AT MALIN HEAD

Issue	Date	Description	By	Chkd.
A	27.06.12	ISSUED FOR WASTE LICENCE	M.N.	D.C.

Client:

BORD NA MÓNA

Project:

**DREHID
MECHANICAL BIOLOGICAL
TREATMENT (MBT) FACILITY**

Title:

**SURFACE WATER
LAYOUT PLAN**

Scale @ A3: 1:2,000

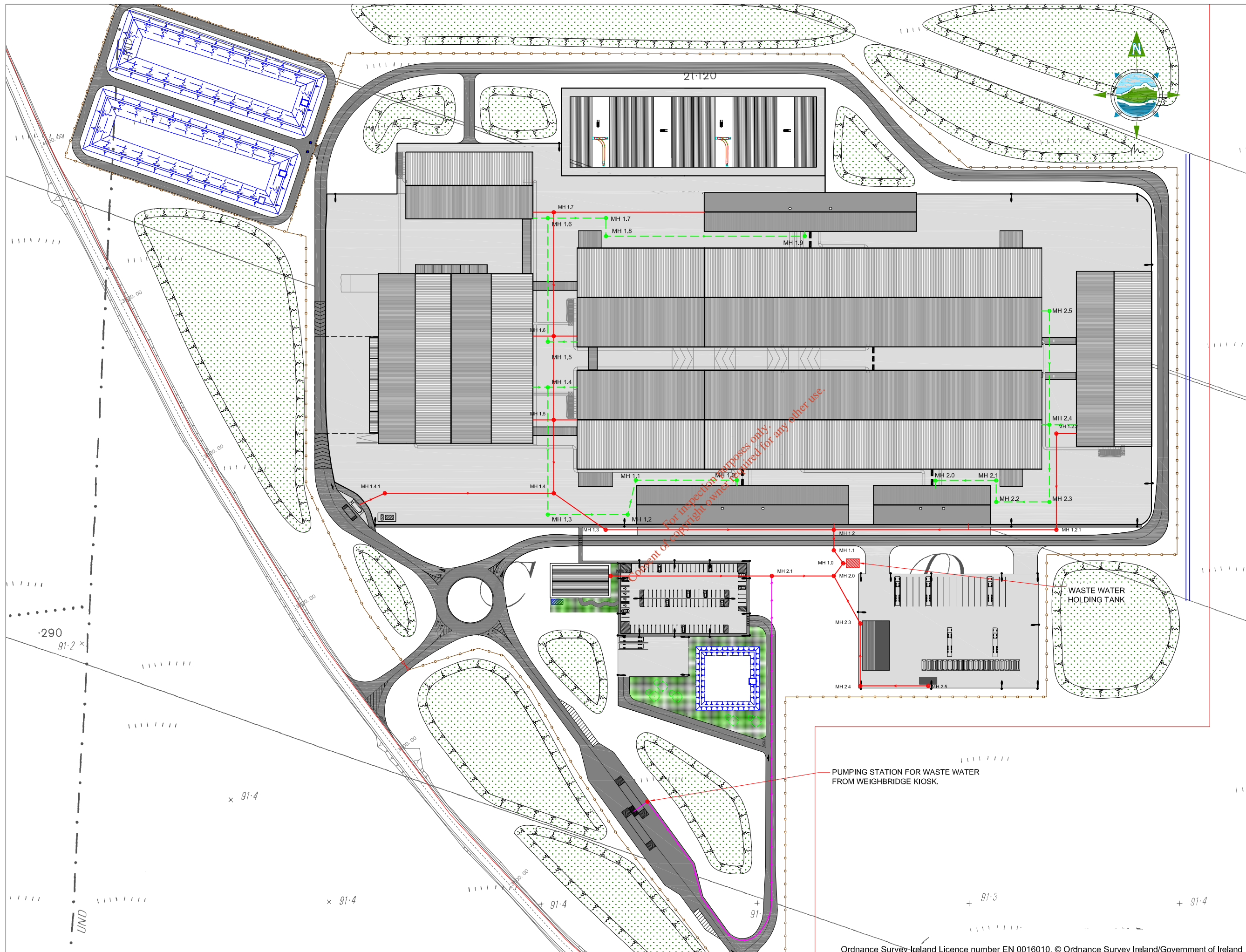
Prepared by: M. Nolan Checked: D. Conneran Date: May 2012

Project Director: D. Grehan

TOBIN
Patrick J. Tobin & Co. Ltd.

Consulting, Civil and Structural Engineers,
Block 10-4, Blanchardstown Corporate Park,
Dublin 15, Ireland.
tel: +353-(0)1-8030406
fax: +353-(0)1-8030409
e-mail: info@tobin.ie
www.tobin.ie

Drawing No.: **6301-2305** Issue: **A**



GENERAL LEGEND

ACTIVITY BOUNDARY

PROPOSED ROAD

PROPOSED HARDSTAND

PROPOSED ATTENUATION POND

PROPOSED GREEN AREA

PROPOSED BUILDINGS

DRAINAGE LEGEND

PROPOSED FOUL DRAIN

PROPOSED WASTE WATER COLLECTION

RETURNED PROCESS WATER

PROPOSED FOUL MH

PROPOSED RISING MAIN

- NOTES:**
- FIGURED DIMENSIONS ONLY TO BE TAKEN FROM THIS DRAWING.
 - ALL DRAWINGS TO BE CHECKED BY THE CONTRACTOR ON SITE
 - ENGINEER/EMPLOYERS REPRESENTATIVE, AS APPROPRIATE, TO BE INFORMED BY THE CONTRACTOR OF ANY DISCREPANCIES BEFORE ANY WORK COMMENCES
 - THE CONTRACTOR SHALL UNDERTAKE A THOROUGH CHECK FOR THE ACTUAL LOCATION OF ALL SERVICES/UTILITIES, ABOVE AND BELOW GROUND, BEFORE ANY WORK COMMENCES
 - ALL LEVELS SHOWN RELATE TO ORDNANCE SURVEY DATUM AT MALIN HEAD

ISSUE	DATE	DESCRIPTION	BY	CHKD.
A	27.06.12	ISSUED FOR WASTE LICENCE	M.N.	D.C.

Client: **BORD NA MÓNA**

Project: **DREHID MECHANICAL BIOLOGICAL TREATMENT (MBT) FACILITY**

Title: **FOUL & PROCESS WATER DRAINAGE LAYOUT PLAN**

Scale @ A3: 1:2,000

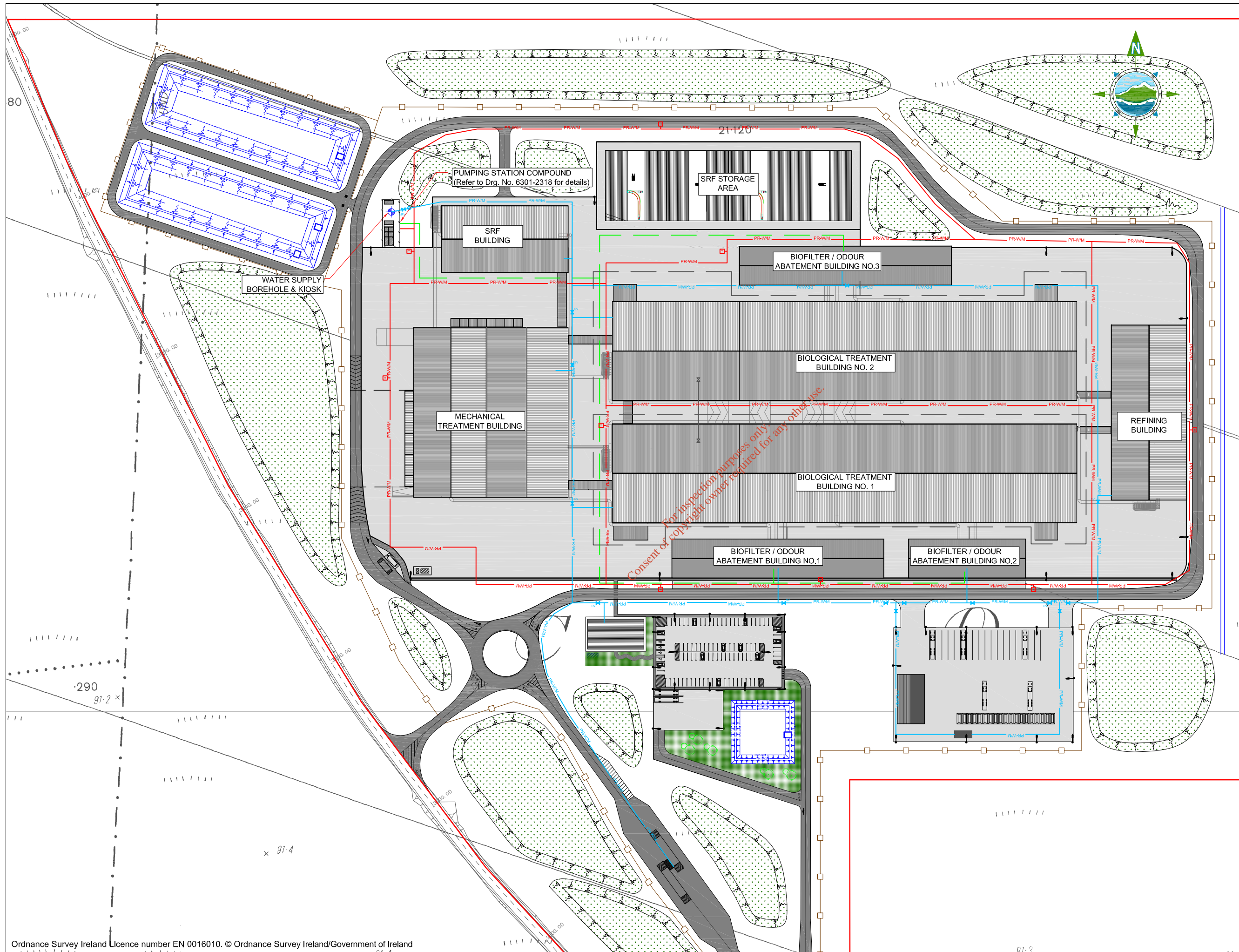
Prepared by: M. Nolan Checked: D. Conneran Date: February 2012

Project Director: D. Grehan

TOBIN
Patrick J. Tobin & Co. Ltd.
Consulting, Civil and Structural Engineers,
Block 10-4, Blanchardstown Corporate Park,
Dublin 15, Ireland.
tel: +353-(0)1-8030406
fax: +353-(0)1-8030409
e-mail: info@tobin.ie
www.tobin.ie

No part of this document may be reproduced or transmitted in any form or stored in any retrieval system of any nature without the written permission of Patrick J. Tobin & Co. Ltd. or copyright holder except as agreed for use on the project for which the document was originally issued.

Drawing No.: **6301-2306** Issue: **A**



GENERAL LEGEND

ACTIVITY BOUNDARY	
PROPOSED ROAD	
PROPOSED HARDSTAND	
PROPOSED ATTENUATION POND	
PROPOSED GREEN AREA	
PROPOSED BUILDINGS	
PROPOSED PROCESS WATER TOP UP	
PROCESS WATER SUPPLY	
PROPOSED FIREMAIN	
PROPOSED WATERMAIN	
PROPOSED SLUICE VALVE	
PROPOSED NON RETURN VALVE	
PROPOSED FLOW METER	
PROPOSED HYDRANT	

- NOTES:**
- FIGURED DIMENSIONS ONLY TO BE TAKEN FROM THIS DRAWING.
 - ALL DRAWINGS TO BE CHECKED BY THE CONTRACTOR ON SITE.
 - ENGINEER/EMPLOYERS REPRESENTATIVE, AS APPROPRIATE, TO BE INFORMED BY THE CONTRACTOR OF ANY DISCREPANCIES BEFORE ANY WORK COMMENCES.
 - THE CONTRACTOR SHALL UNDERTAKE A THOROUGH CHECK FOR THE ACTUAL LOCATION OF ALL SERVICES/UTILITIES, ABOVE AND BELOW GROUND, BEFORE ANY WORK COMMENCES.
 - ALL LEVELS SHOWN RELATE TO ORDNANCE SURVEY DATUM AT MALIN HEAD.

Issue	Date	Description	By	Chkd.
A	27.06.12	ISSUED FOR WASTE LICENCE	M.N.	D.C.

Client:

Project:
DREHID MECHANICAL BIOLOGICAL TREATMENT (MBT) FACILITY

Title:
WATERMAIN LAYOUT PLAN

Scale @ A3: 1:2,000

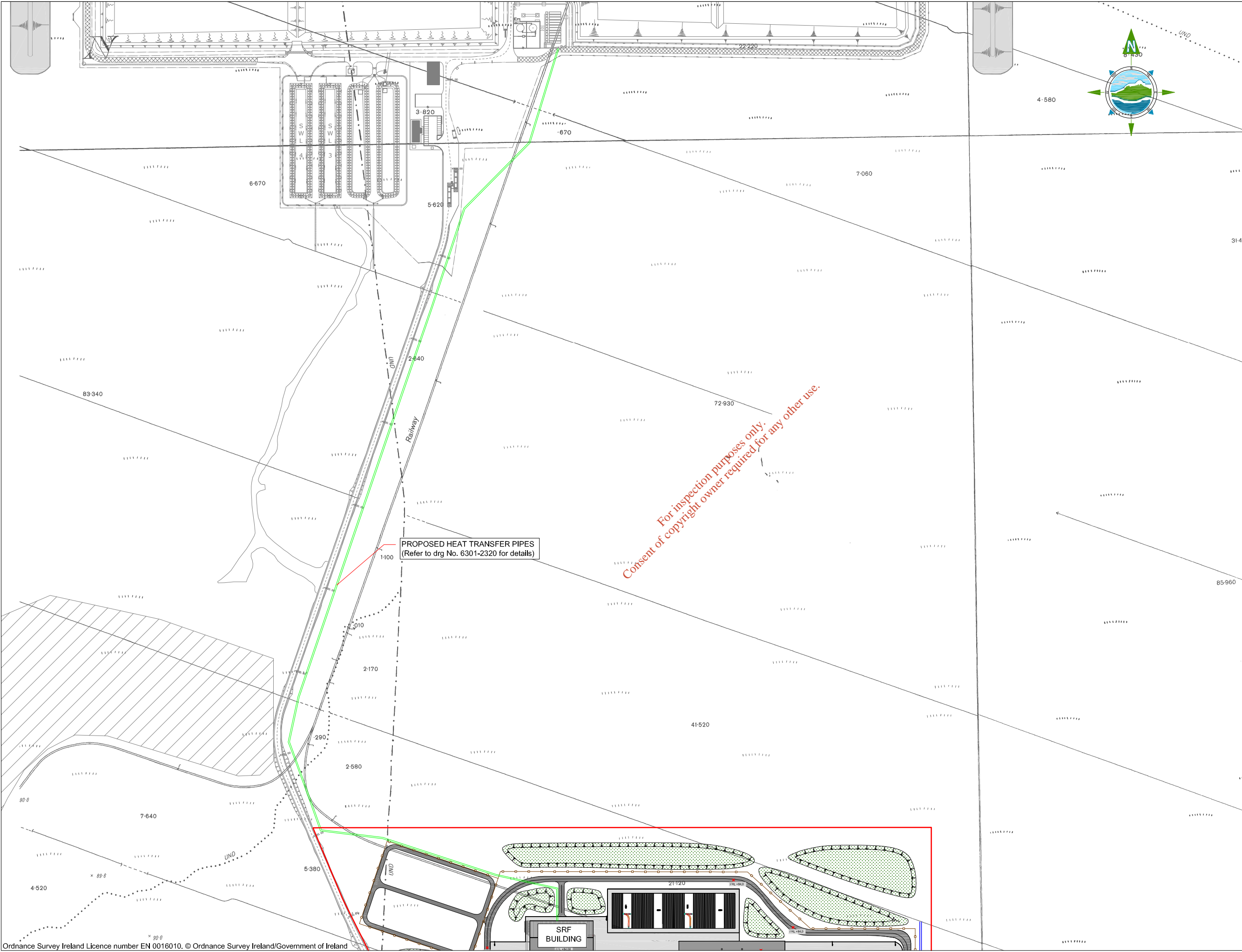
Prepared by: M. Nolan Checked: D. Conneran Date: May 2012

Project Director: D. Grehan

Patrick J. Tobin & Co. Ltd.
 Consulting, Civil and Structural Engineers,
 Block 10-4, Blanchardstown Corporate Park,
 Dublin 15, Ireland.
 tel: +353-(0)1-8030406
 fax: +353-(0)1-8030409
 e-mail: info@tobin.ie
 www.tobin.ie

No part of this document may be reproduced or transmitted in any form or stored in any retrieval system of any nature without the written permission of Patrick J. Tobin & Co. Ltd. as copyright holder except as agreed for use on the project for which the document was originally issued.

Drawing No.: **6301-2307** Issue: **A**



GENERAL LEGEND

ACTIVITY BOUNDARY ———

HEAT TRANSFER PIPES ———

NOTES:

- FIGURED DIMENSIONS ONLY TO BE TAKEN FROM THIS DRAWING.
- ALL DRAWINGS TO BE CHECKED BY THE CONTRACTOR ON SITE
- ENGINEER/EMPLOYERS REPRESENTATIVE, AS APPROPRIATE, TO BE INFORMED BY THE CONTRACTOR OF ANY DISCREPANCIES BEFORE ANY WORK COMMENCES
- THE CONTRACTOR SHALL UNDERTAKE A THOROUGH CHECK FOR THE ACTUAL LOCATION OF ALL SERVICES/UTILITIES, ABOVE AND BELOW GROUND, BEFORE ANY WORK COMMENCES
- ALL LEVELS SHOWN RELATE TO ORDANCE SURVEY DATUM AT MALIN HEAD

Issue	Date	Description	By	Chkd.
A	27.06.12	ISSUED FOR WASTE LICENCE	M.N.	D.C.

Client: **BORD NA MÓNA**

Project: **DREHID MECHANICAL BIOLOGICAL TREATMENT (MBT) FACILITY**

Title: **PROPOSED HEAT TRANSFER PIPES**

Scale @ A3: **1:4,000**

Prepared by: **M. Nolan** Checked: **D. Conneran** Date: **May 2012**

Project Director: **D. Grehan**

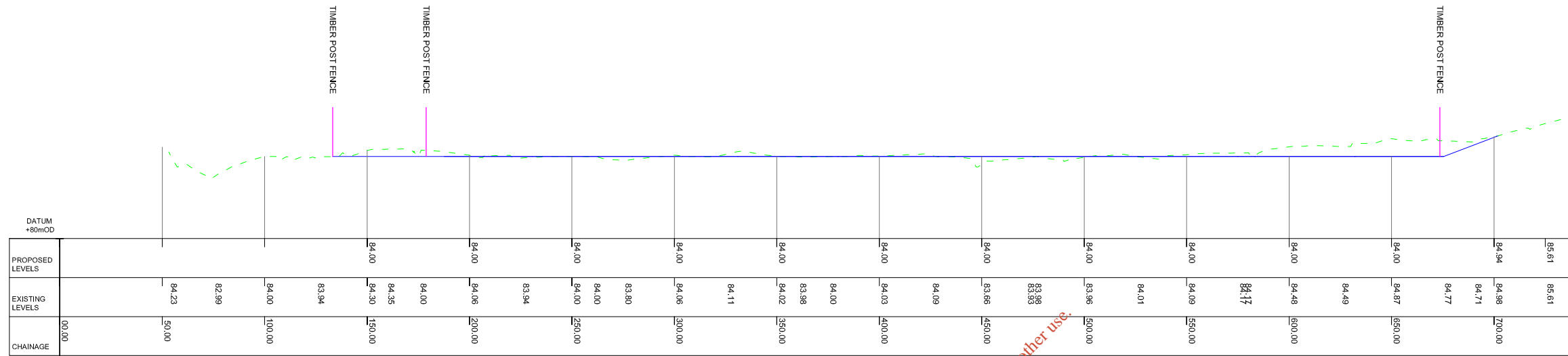
TOBIN
Patrick J. Tobin & Co. Ltd.
Consulting, Civil and Structural Engineers,
Block 10-4, Blanchardstown Corporate Park,
Dublin 15, Ireland.
tel: +353-(0)1-8030406
fax: +353-(0)1-8030409
e-mail: info@tobin.ie
www.tobin.ie

No part of this document may be reproduced or transmitted in any form or stored in any retrieval system of any nature without the written permission of Patrick J. Tobin & Co. Ltd. as copyright holder except as agreed for use on the project for which the document was originally issued.

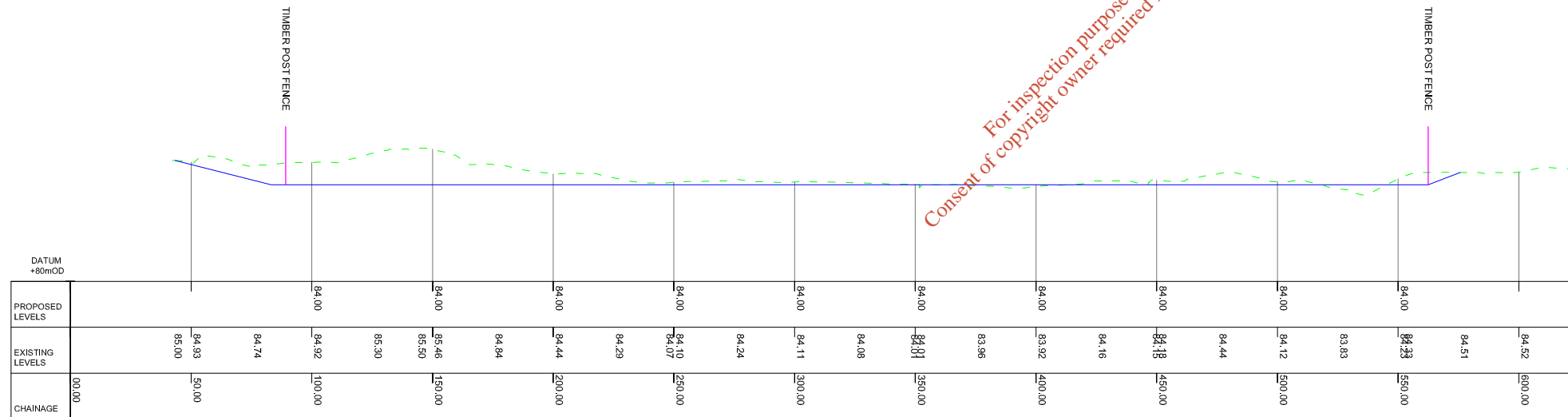
Drawing No.: **6301-2308** Issue: **A**

LEGEND:

PROPOSED GROUND PROFILE ——— EXISTING GROUND PROFILE - - - - -



SECTION 1-1



SECTION 2-2

For inspection purposes only.
Consent of copyright owner required for any other use.

NOTES:

- FIGURED DIMENSIONS ONLY TO BE TAKEN FROM THIS DRAWING.
- ALL DRAWINGS TO BE CHECKED BY THE CONTRACTOR ON SITE
- ENGINEER/EMPLOYERS REPRESENTATIVE, AS APPROPRIATE, TO BE INFORMED BY THE CONTRACTOR OF ANY DISCREPANCIES BEFORE ANY WORK COMMENCES
- THE CONTRACTOR SHALL UNDERTAKE A THOROUGH CHECK FOR THE ACTUAL LOCATION OF ALL SERVICES/UTILITIES, ABOVE AND BELOW GROUND, BEFORE ANY WORK COMMENCES
- ALL LEVELS SHOWN RELATE TO ORDNANCE SURVEY DATUM AT MALIN HEAD
- FOR LOCATION OF SECTIONS REFER TO DRG. NO: 6301 2302

Issue	Date	Description	By	Chkd.
A	27.06.12	ISSUED FOR WASTE LICENCE	M.N.	D.C.



Client:
BORD NA MÓNA

Project:
DREHID MECHANICAL BIOLOGICAL TREATMENT (MBT) FACILITY

Title:
LONGITUDINAL SECTIONS THROUGH EXISTING TOPOGRAPHY

Scale @ A3: H; 1:2,500 / V; 1:250

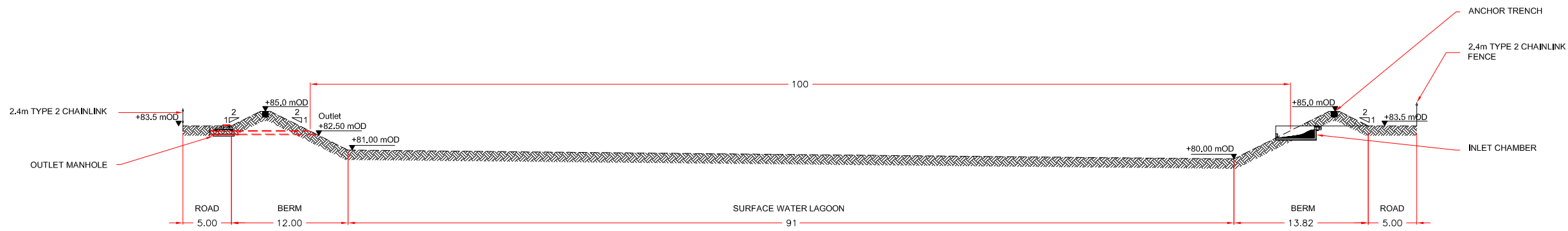
Prepared by: M. Nolan
Checked: D. Conneran
Date: March 2012

Project Director: D. Grehan

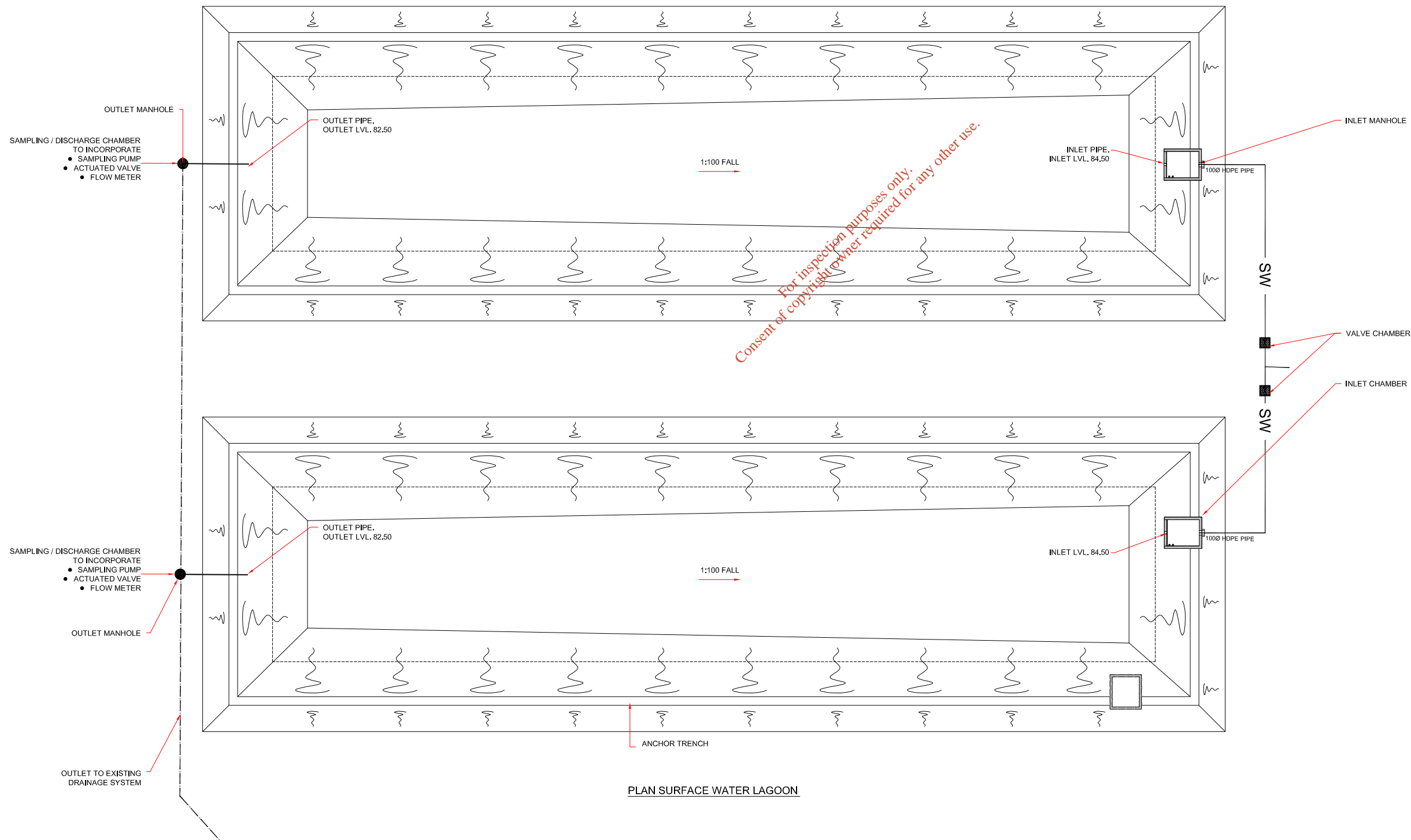


No part of this document may be reproduced or transmitted in any form or stored in any retrieval system of any nature without the written permission of Patrick J. Tobin & Co. Ltd. as copyright holder except as agreed for use on the project for which the document was originally issued.

Drawing No.: **6301-2309** Issue: **A**



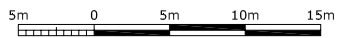
SECTION THROUGH SURFACE WATER LAGOON



PLAN SURFACE WATER LAGOON

NOTES

1. FIGURED DIMENSIONS ONLY TO BE TAKEN FROM THIS DRAWING
2. ALL DRAWINGS TO BE CHECKED BY THE CONTRACTOR ON SITE
3. ENGINEER TO BE INFORMED BY THE CONTRACTOR OF ANY DISCREPANCIES BEFORE ANY WORK COMMENCES
4. ALL LEVELS SHOWN RELATE TO ORDNANCE SURVEY DATUM AT MALIN HEAD



Rev	Date	Description	By	Chkd.
A	27.06.12	ISSUED FOR WASTE LICENCE	MN	DC

Client:
BORD NA MÓNA

Project:
DREHID MECHANICAL BIOLOGICAL TREATMENT (MBT) FACILITY

Title:
ATTENUATION LAGOONS 1 & 2 GENERAL ARRANGEMENT & SECTION

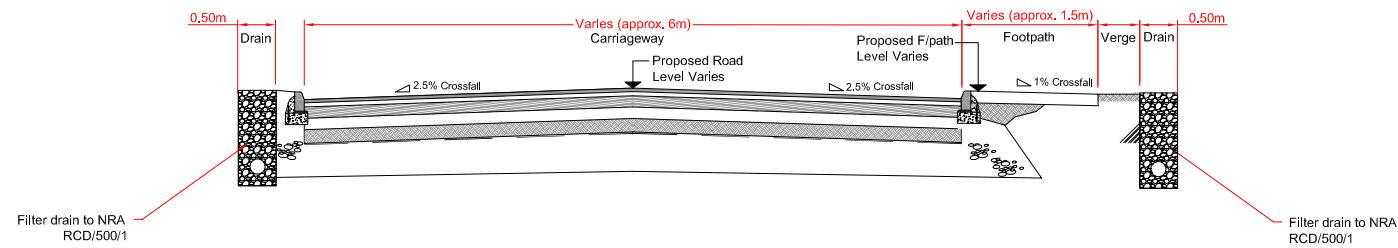
Scale @ A3: 1:500

Prepared by:	Checked:	Date:
M. Nolan	D. Conneran	March 2012
Project Director:	D. Greahn	
Drawing Status:	Waste Licence	

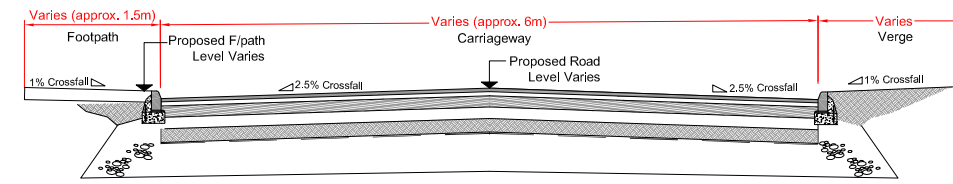
TOBIN
 Patrick J. Tobin & Co. Ltd.
 TOBIN Consulting Engineers,
 Block 10-4, Blanchardstown Corporate Park,
 Dublin 15, Ireland.
 tel: +353-(0)1-8030406
 fax: +353-(0)1-8030409
 e-mail: dublin@tobin.ie
 www.tobin.ie

TOBIN Consulting Engineers will not be liable for any use of this document for any purpose other than that for which it was originally prepared and produced. Except where specifically and explicitly agreed in writing by TOBIN Consulting Engineers, no copyright holder, no part of this document may be reproduced or transmitted in any form and this document shall not be relied upon by any third party for any purpose.

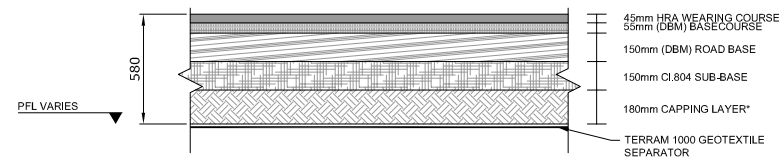
Drawing No.:	6301-2310	Revision:	A
--------------	-----------	-----------	---



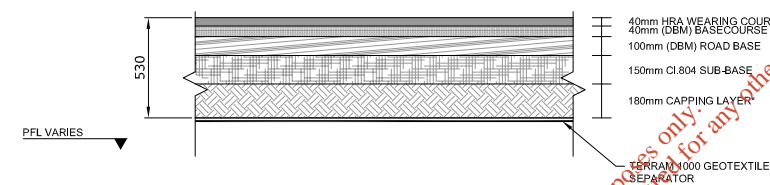
TYPICAL ROAD CROSS SECTION WITH FILTER DRAIN
SCALE 1:100



TYPICAL ROAD CROSS-SECTION
SCALE 1:100

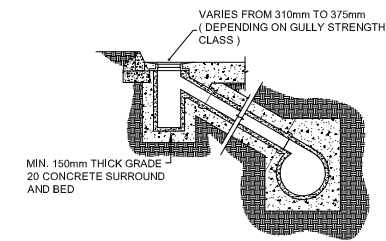


A TYPICAL ROAD CONSTRUCTION
SCALE 1:40



B TYPICAL CARPARK CONSTRUCTION
SCALE 1:40

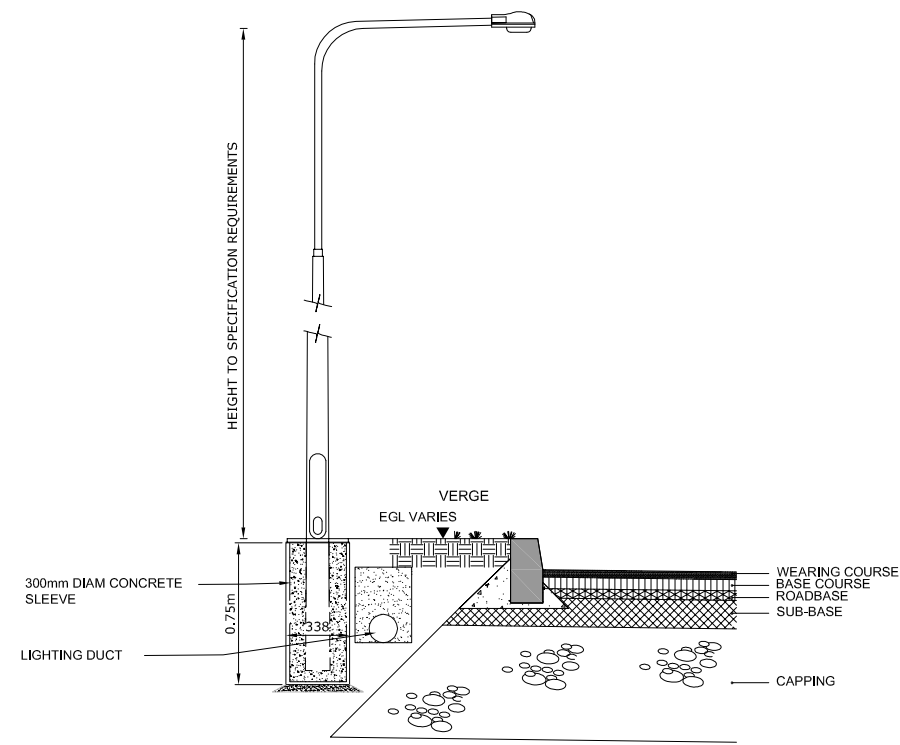
*NOTE: CAPPING LAYER IS DEPENDENT ON CBR TESTS.



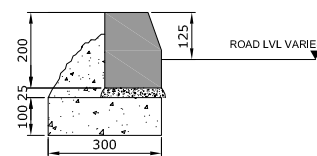
NOTE 1 : TRAPPED GULLIES TO BE USED WHERE CONNECTED TO A COMBINED SEWER
NOTE 2 : FOR STRENGTH CLASS OF GULLY REFER TO EN 124 : 1994, CLAUSE 5

C TYPICAL GULLY CONSTRUCTION
SCALE 1:40

Consent of copyright owner required for any other use.
For inspection purposes only.

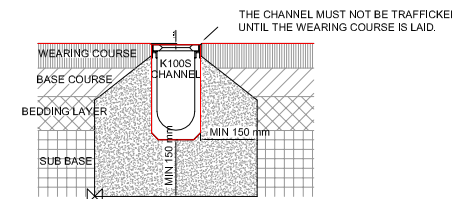


TYPICAL LIGHTING COLUMN
SCALE 1:40

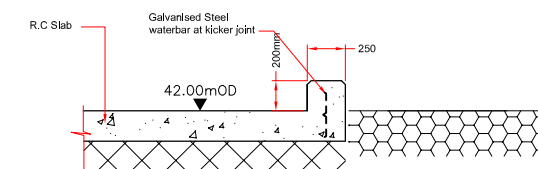


TYPE 2 - EDGE RESTRAINT
CARPARK/LIGHT VEHICLES

TYPICAL EDGE RESTRAINT DETAILS
SCALE 1:20



INSTALLATION EXAMPLE
FLEXIBLE PAVEMENT
SCALE 1:20



BUND WALL DETAIL SURROUNDING
HARDSTAND & SRF STORAGE AREA
Scale 1:25

NOTES:

- FIGURED DIMENSIONS ONLY TO BE TAKEN FROM THIS DRAWING.
- ALL DRAWINGS TO BE CHECKED BY THE CONTRACTOR ON SITE
- ENGINEER/EMPLOYERS REPRESENTATIVE, AS APPROPRIATE, TO BE INFORMED BY THE CONTRACTOR OF ANY DISCREPANCIES BEFORE ANY WORK COMMENCES
- THE CONTRACTOR SHALL UNDERTAKE A THOROUGH CHECK FOR THE ACTUAL LOCATION OF ALL SERVICES/UTILITIES, ABOVE AND BELOW GROUND, BEFORE ANY WORK COMMENCES
- ALL LEVELS SHOWN RELATE TO ORDNANCE SURVEY DATUM AT MALIN HEAD

Issue	Date	Description	By	Chkd.
A	27.06.12	ISSUED FOR WASTE LICENCE	M.N.	D.C.

Client:
BORD NA MÓNA

Project:
DREHID MECHANICAL BIOLOGICAL TREATMENT (MBT) FACILITY

Title:
TYPICAL ROAD & CARPARK CONSTRUCTION DETAILS

Scale @ A3: **AS SHOWN**

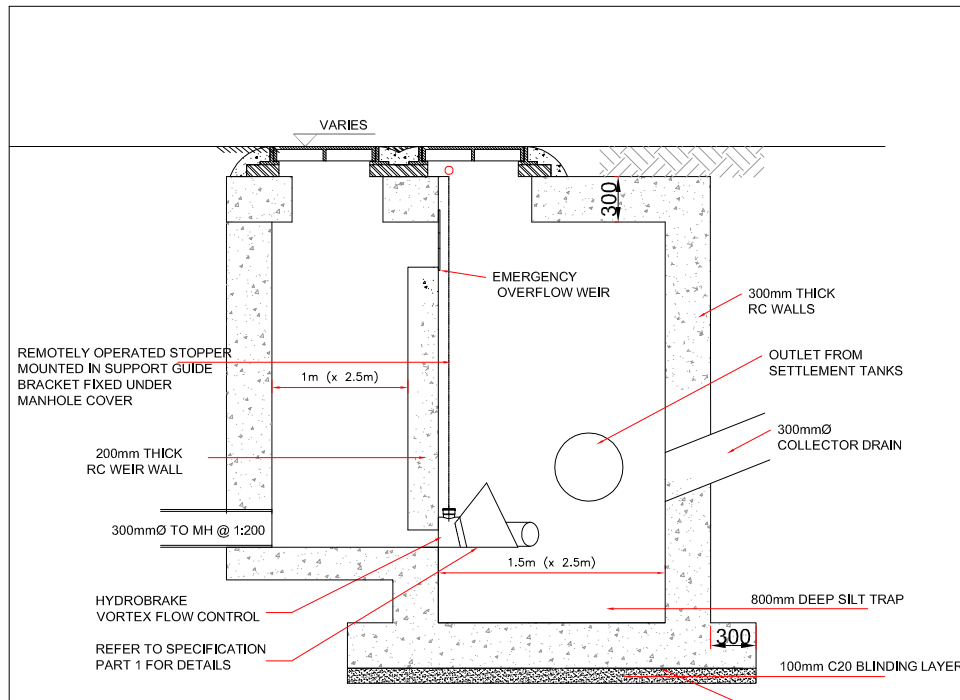
Prepared by: **M. Nolan** Checked: **D. Conneran** Date: **May 2012**

Project Director: **D. Grehan**

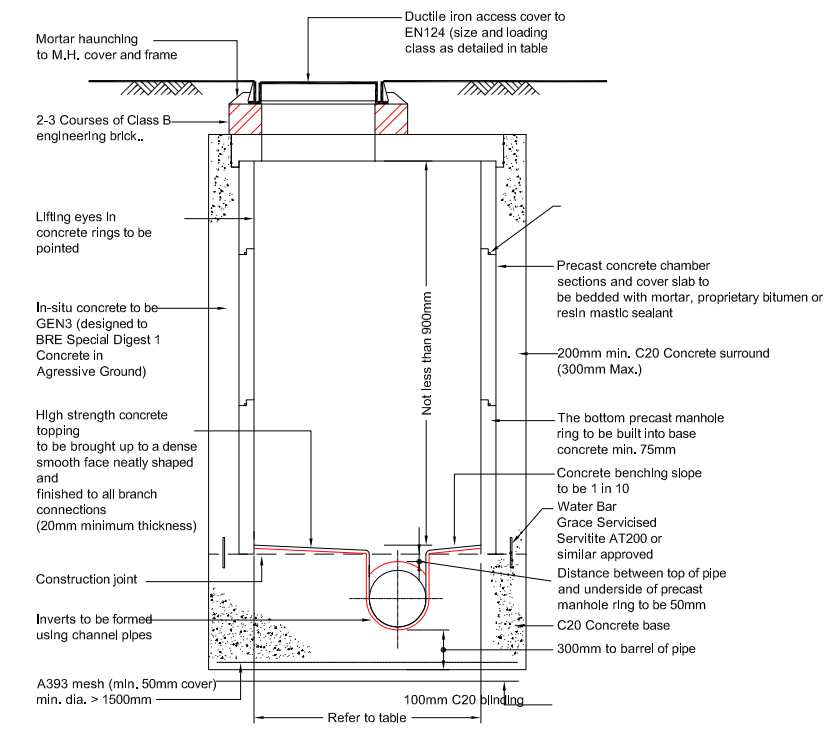
TOBIN
Patrick J. Tobin & Co. Ltd.
Consulting, Civil and Structural Engineers,
Block 10-4, Blanchardstown Corporate Park,
Dublin 15, Ireland.
tel: +353-(0)1-8030406
fax: +353-(0)1-8030409
e-mail: info@tobin.ie
www.tobin.ie

No part of this document may be reproduced or transmitted in any form or stored in any retrieval system of any nature without the written permission of Patrick J. Tobin & Co. Ltd. as copyright holder except as agreed for use on the project for which the document was originally issued.

Drawing No.: **6301-2311** Issue: **A**



SURFACE WATER FLOW CONTROL CHAMBER SW 1 - MANHOLE TYPE F



TYPICAL PRECAST MANHOLE DETAIL - TYPE B
Maximum depth from cover level to soffit of pipe 3.0m

TYPE OF ACCESS	DEPTH FROM SOFFIT TO COVER LEVEL (m)	DN LARGEST PIPE IN MANHOLE / MEANS OF DESCENT INTO SHAFT	MINIMUM INTERNAL DIMENSIONS	MINIMUM ACCESS SIZE		REMARKS
				RECTANGULAR	CIRCULAR	
MANHOLE C	1.0 - 1.5	≤ 150mmØ	1000mmØ	750 x 750 C	600Ø	Generally in accordance with safe work in confined spaces - Health and safety commission Larger opening size is required for manholes at shallower depths to permit standing / crouching Cover loading class C250 in fields and D400 in roads / road margins
		225mmØ	1200mmØ	750 x 600 E	750Ø	
		300mmØ	1200mmØ	750 x 600 E	750Ø	
		375mmØ to 450mmØ	1350mmØ	1200 x 675 C	750Ø	
		500mmØ to 700mmØ	1500mmØ	1200 x 675 C	750Ø	
750mmØ to 900mmØ	1800mmØ	1200 x 675 C	750Ø			
> 900mmØ	The larger of 1800 or (DN + 450)					
MANHOLE B	1.5 - 3.0	≥ 225mmØ	1200mmØ	750 x 600 E	700Ø	Where a ladder is provided, a larger size may be needed Cover loading class C250 in fields and D400 in roads / road margins & footpaths
		300mmØ	1200mmØ	750 x 600 E	700Ø	
		375mmØ to 450mmØ	1350mmØ	750 x 600 E	700Ø	
		500mmØ to 700mmØ	1500mmØ	750 x 600 E	700Ø	
		750mmØ to 900mmØ	1800mmØ	750 x 600 E	700Ø	
> 900mmØ	The larger of 1800 or (DN + 450)					

- I. These sizes apply to straight-through pipes; larger sizes may be required for turning chambers or chambers with several side branches or where specific maintenance requirements are necessary, e.g. disconnecting traps.
- II. Minimum height of chamber in shafted manhole 2m from benching to underside of reducing slab.
- III. May be reduced to 600 x 600 or 600Ø where the configuration of the manhole chamber permits a safe system of work.
- IV. C denotes central.
- V. E denotes eccentric.
- VI. All Manholes / Chambers to include ladder / rung access as per details.

- NOTES:**
- FIGURED DIMENSIONS ONLY TO BE TAKEN FROM THIS DRAWING.
 - ALL DRAWINGS TO BE CHECKED BY THE CONTRACTOR ON SITE
 - ENGINEER/EMPLOYERS REPRESENTATIVE, AS APPROPRIATE, TO BE INFORMED BY THE CONTRACTOR OF ANY DISCREPANCIES BEFORE ANY WORK COMMENCES
 - THE CONTRACTOR SHALL UNDERTAKE A THOROUGH CHECK FOR THE ACTUAL LOCATION OF ALL SERVICES/UTILITIES, ABOVE AND BELOW GROUND, BEFORE ANY WORK COMMENCES
 - ALL LEVELS SHOWN RELATE TO ORDNANCE SURVEY DATUM AT MALIN HEAD

Issue	Date	Description	By	Chkd.
A	27.06.12	ISSUED FOR WASTE LICENCE	M.N.	D.C.

Client:
BORD NA MÓNA

Project:
DREHID MECHANICAL BIOLOGICAL TREATMENT (MBT) FACILITY

Title:
TYPICAL MANHOLE DETAILS

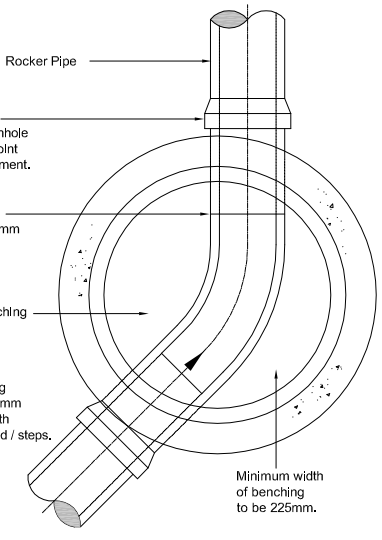
Scale @ A3: **1:25**

Prepared by: **M. Nolan** Checked: **D. Conneran** Date: **May 2012**

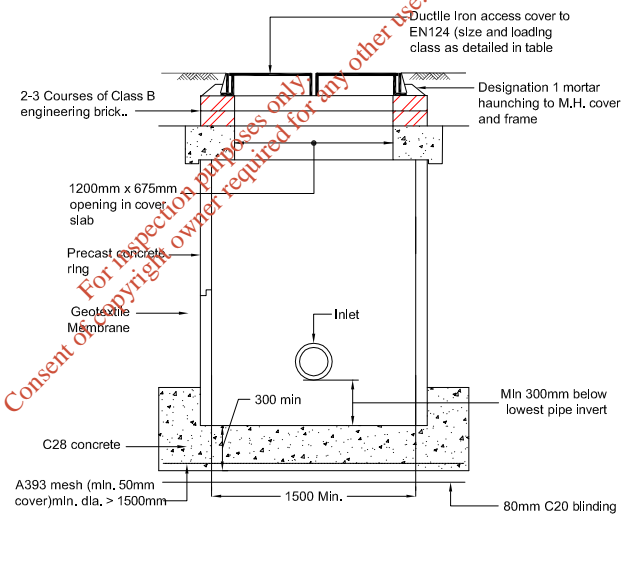
Project Director: **D. Grehan**

TOBIN
Patrick J. Tobin & Co. Ltd.
Consulting, Civil and Structural Engineers,
Block 10-4, Blanchardstown Corporate Park,
Dublin 15, Ireland.
tel: +353-(0)1-8030406
fax: +353-(0)1-8030409
e-mail: info@tobin.ie
www.tobin.ie

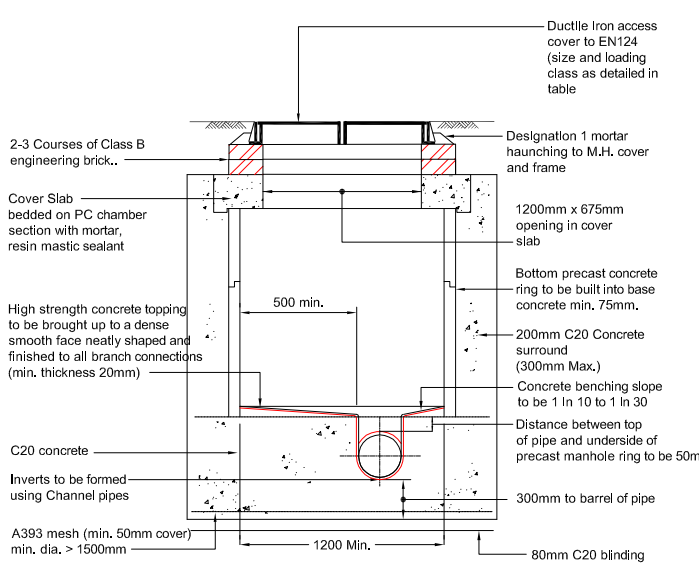
Drawing No.: **6301-2312** A



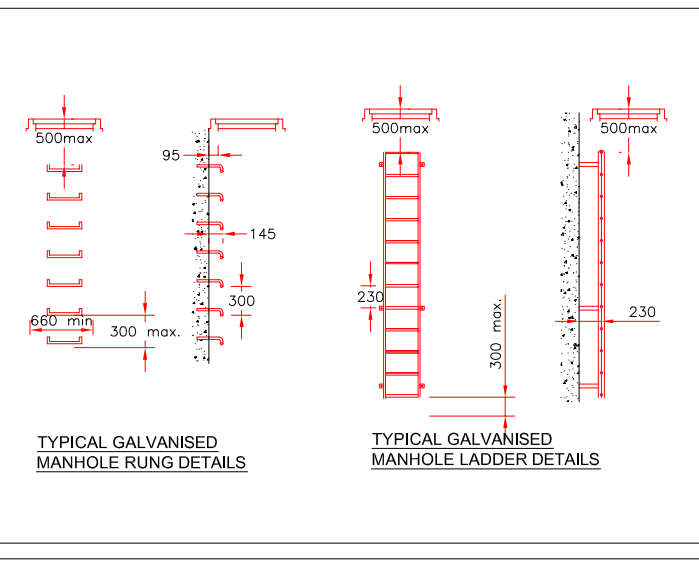
PLAN ON MANHOLE TYPE B



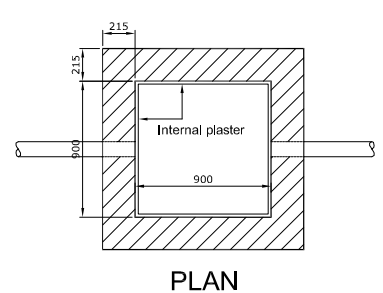
TYPICAL PRECAST MANHOLE DETAIL - TYPE E
Depth from ground level to soffit of pipe 1 - 1.5m



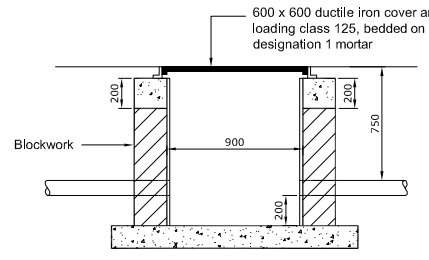
TYPICAL PRECAST MANHOLE DETAIL - TYPE C
Depth from ground level to soffit of pipe 1.0 - 1.45m



PLAN ON MANHOLE TYPE D



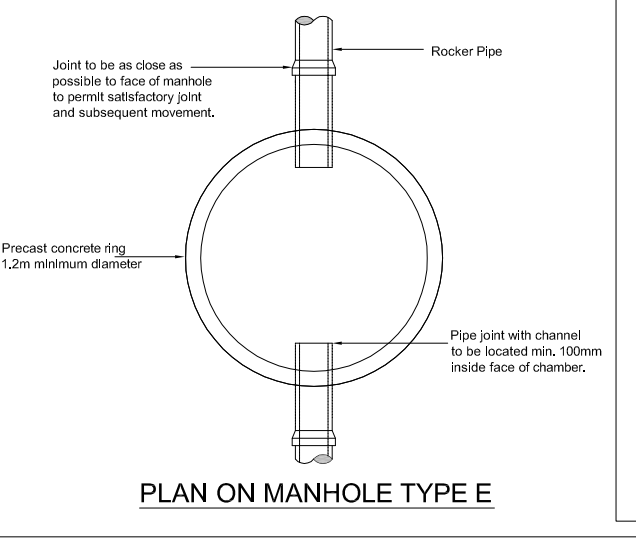
PLAN



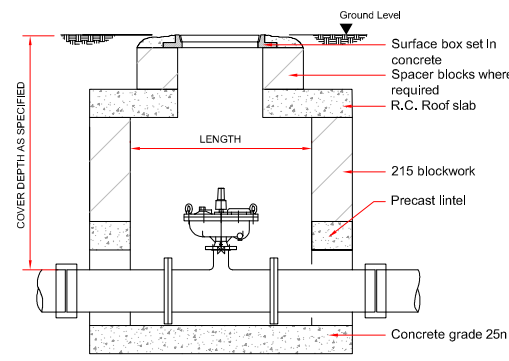
SECTION

Note:
Duct chamber consisting of grade 25:20 base and roof slab 200mm thick, 215mm thick blockwork walls and heavy duty ductile iron cover as specified.

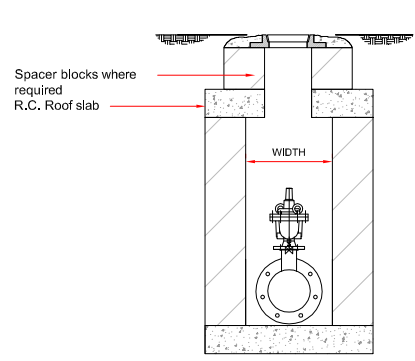
TYPICAL DUCT CHAMBER DETAIL



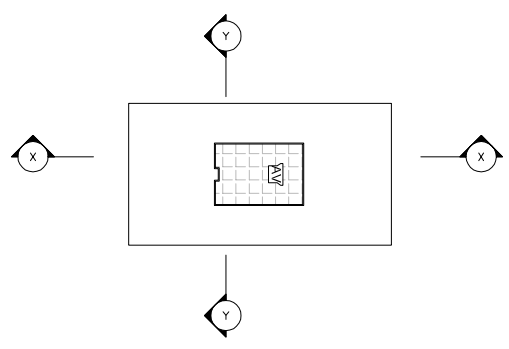
PLAN ON MANHOLE TYPE E



SECTION X-X



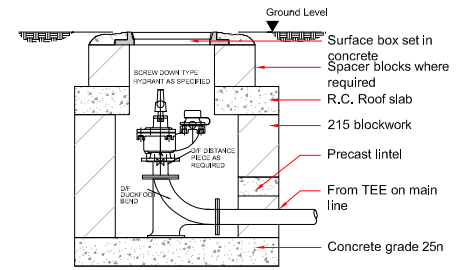
SECTION Y-Y



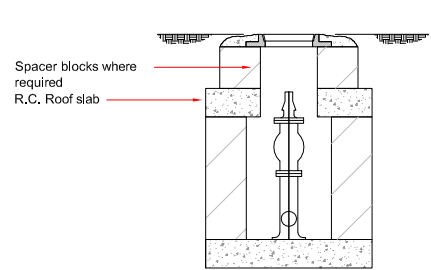
PLAN ON COVER SLAB

AIR VALVE CHAMBER

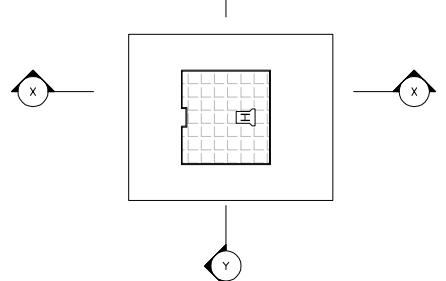
AIR VALVE CHAMBER DIMENSIONS			
PIPE DIA (mm)	CHAMBER WIDTH (W)	CHAMBER LENGTH (L)	DEPTH OF COVER TO PIPE (H)
150	510	690	900
250	510	690	900
300	600	720	1050
400	800	800	1050
450	800	800	1050
500	1000	1000	1050
600	1200	1200	1300



SECTION X-X



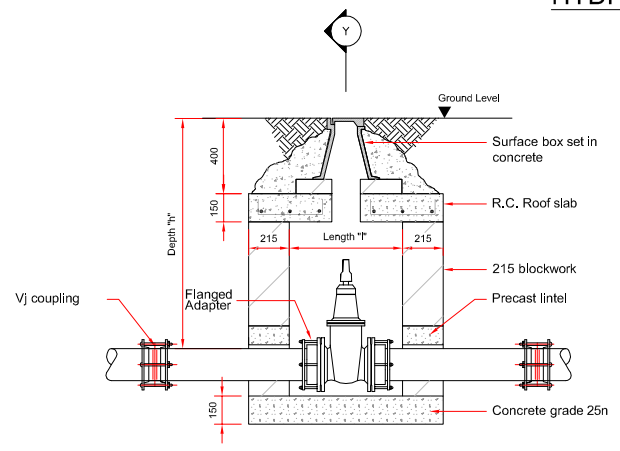
SECTION Y-Y



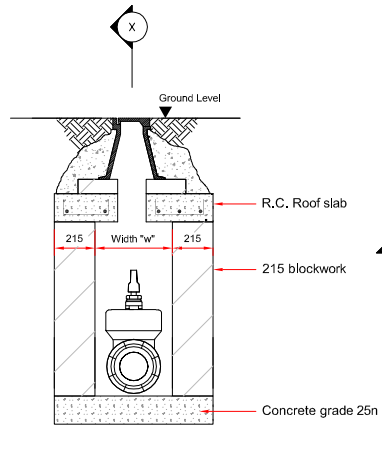
PLAN ON COVER SLAB

HYDRANT CHAMBER

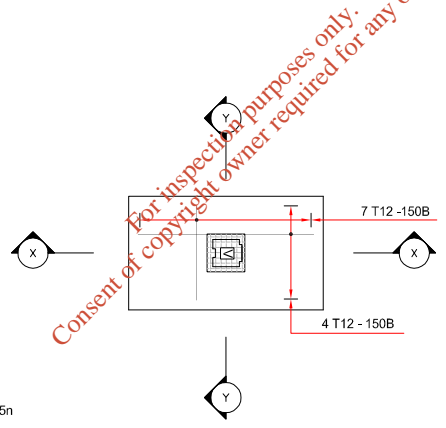
HYDRANT CHAMBER DIMENSIONS				
VALVE DIA. (mm)	CHAMBER WIDTH (W)	CHAMBER LENGTH (L)	DEPTH OF COVER TO PIPE (H)	CLEAR OPE. SURFACE BOX (mm)
50	390	720	900	375x225
80	460	960	900	575x300
100	460	960	900	575x300
150	920	1500	900	900x600



SECTION X-X



SECTION Y-Y

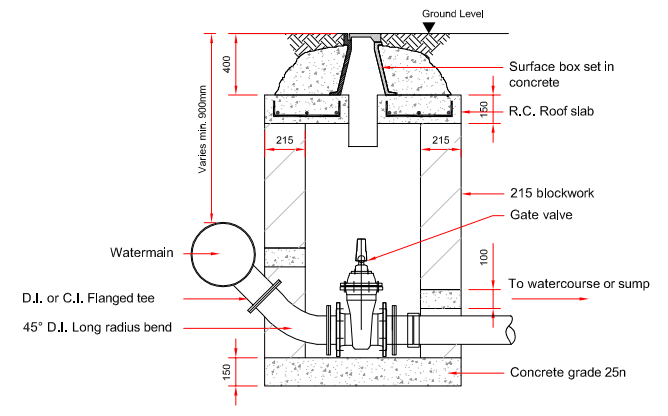


PLAN ON COVER SLAB

PLAN ON SLUICE VALVE CHAMBER

SLUICE VALVE CHAMBER DIMENSIONS			
VALVE DIA. (mm)	CHAMBER WIDTH (W)	CHAMBER LENGTH (L)	DEPTH OF COVER TO PIPE (H)
80	280	560	900
100	310	560	900
150	410	610	900
200	460	610	900
250	510	690	900
300	600	720	1060
400	800	800	1060

Note
Concrete floor to chamber not to be provided when Class 1 watermains are used.



TYPE 1 SCOUR CHAMBER
(TO BE USED WHERE THERE IS A NEARBY LOW LEVEL STREAM/DRAIN)

- NOTES**
1. Figured dimensions only to be taken from this drawing.
 2. All drawings to be checked by The Contractor on site.
 3. The Engineer to be informed by The Contractor of any discrepancies before any work commences.
 4. All levels shown relate to ordnance survey datum at Malin Head.

Issue	Date	Description	By	Chkd.
A	27.06.12	ISSUED FOR WASTE LICENCE	M.N.	D.C.

Client:
BORD NA MÓNA

Project:
MECHANICAL BIOLOGICAL TREATMENT (MBT) FACILITY

Title:
TYPICAL WATERMAIN DETAILS

Scale @ A3: 1:40

Prepared by: M. Nolan
Checked: D. Conneran
Date: March 2012

Project Director: D. Grehan

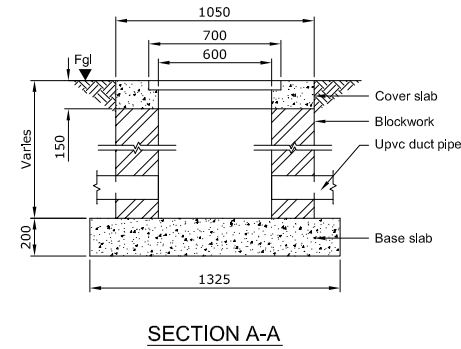
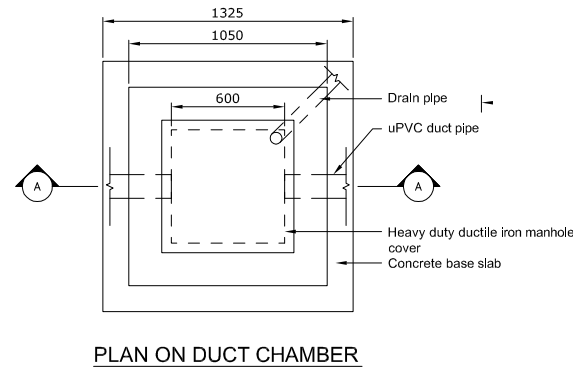
TOBIN
Patrick J. Tobin & Co. Ltd.
Consulting, Civil and Structural Engineers,
Block 10-4, Blanchardstown Corporate Park,
Dublin 15, Ireland.
tel: +353-(0)1-8030406
fax: +353-(0)1-8030409
e-mail: info@tobin.ie
www.tobin.ie

No part of this document may be reproduced or transmitted in any form or stored in any retrieval system of any nature without the written permission of Patrick J. Tobin & Co. Ltd. as copyright holder except as agreed for use on the project for which the document was originally issued.

Drawing No.: **6301-2313** Issue: **A**

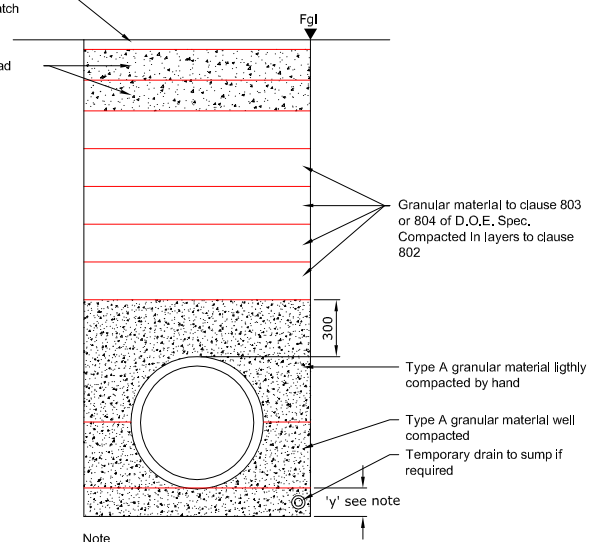
For inspection purposes only.
Consent of copyright owner required for any other use.

TRENCH WIDTHS (for details see Spec. Cl.)		
NOMINAL PIPE DIA (mm)	MIN. TRENCH WIDTH (mm)	MAX. TRENCH WIDTH (mm)
100	430	630
150	490	690
225	580	780
300	680	880
375	950	1150
450	1030	1230
525	1120	1320
600	1240	1440
675	1330	1530
750	1400	1600
900	1920	2120
1050	2100	2300



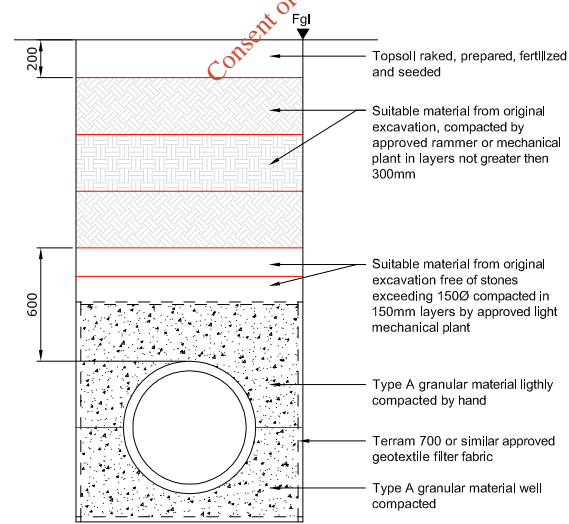
For road margins (a) granular material to be continued to road surface and blinded with fines or (b) 150mm topsoil to be placed raked, prepared, fertilized and seeded to match original surface

Granular material to clause 804 of D.O.E. Spec. For road work compacted in 2 layers to clause 802



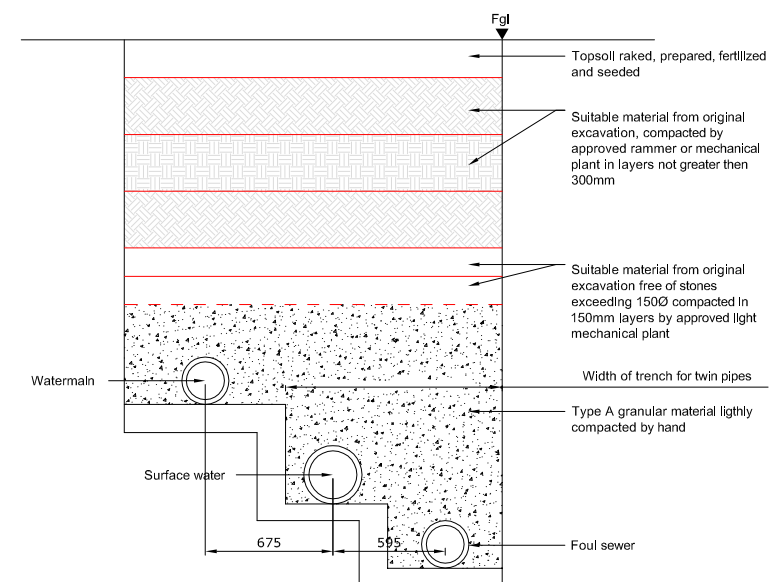
Note
 'y'=150 for pipes up to 300Ø
 'y'=200 for pipes from 375Ø to 1200Ø
 in rock or mixed soils containing boulders or hard spots dimension 'y' shall be increased by 100

TRENCH IN ROAD AND ROAD MARGINS



FIELDS
 (where required by poor ground conditions)

For inspection purposes only.
 Consent of copyright owner required for any other use.



COMBINED TRENCH

- NOTES
- FIGURED DIMENSIONS ONLY TO BE TAKEN FROM THIS DRAWING
 - ALL DRAWINGS TO BE CHECKED BY THE CONTRACTOR ON SITE
 - ENGINEER TO BE INFORMED BY THE CONTRACTOR OF ANY DISCREPANCIES BEFORE ANY WORK COMMENCES
 - ALL LEVELS SHOWN RELATE TO ORDNANCE SURVEY DATUM AT MALIN HEAD

Issue	Date	Description	By	Chkd.
A	27.06.12	ISSUED FOR WASTE LICENCE	M.N.	D.C.

Client:
BORD NA MÓNA

Project:
DREHID MECHANICAL BIOLOGICAL TREATMENT (MBT) FACILITY

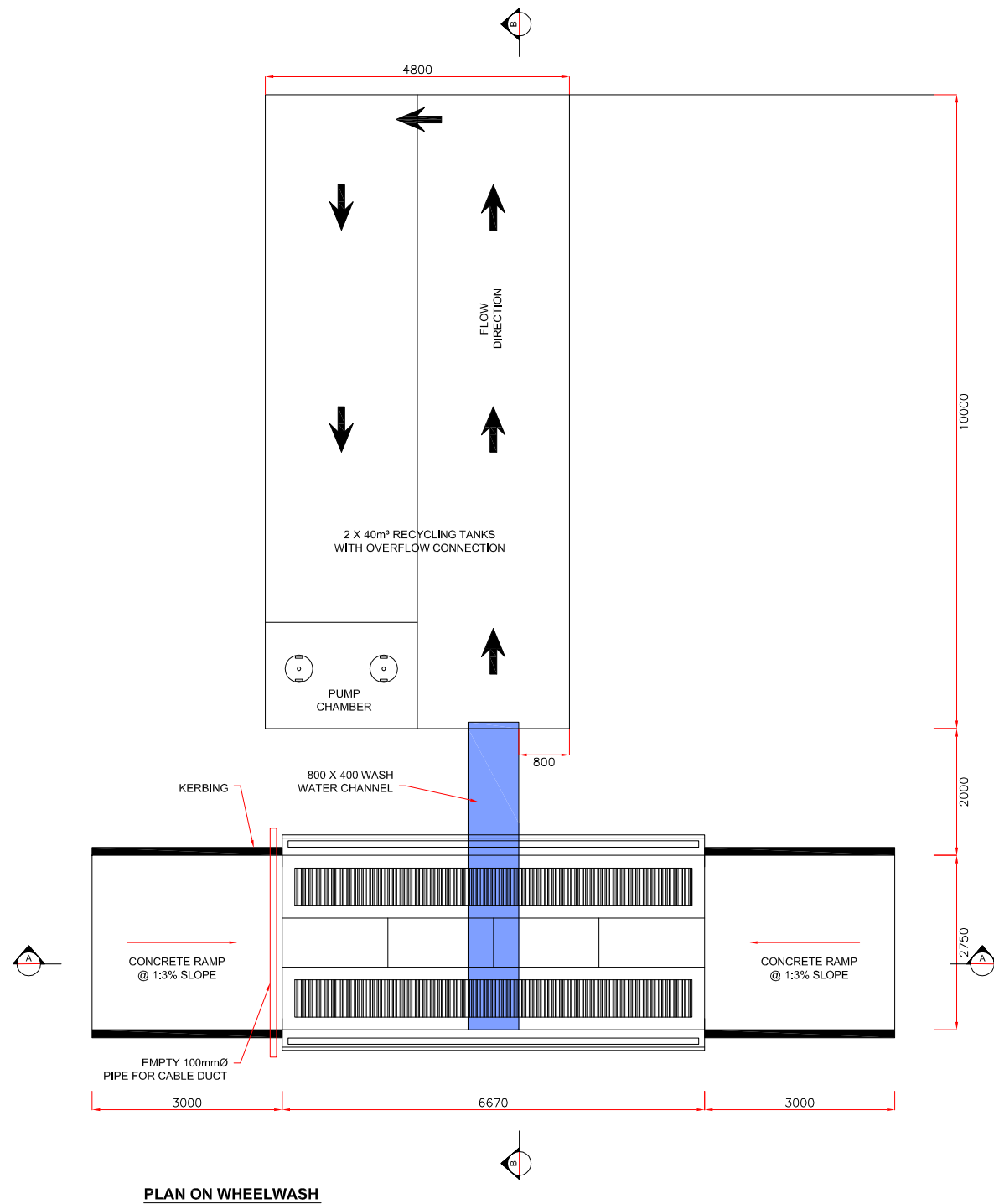
Title:
TRENCH BEDDING DETAILS

Scale @ A3:	1:40	
Prepared by:	Checked:	Date:
M. Nolan	D. Conneran	March 2012
Project Director:	D. Grehan	

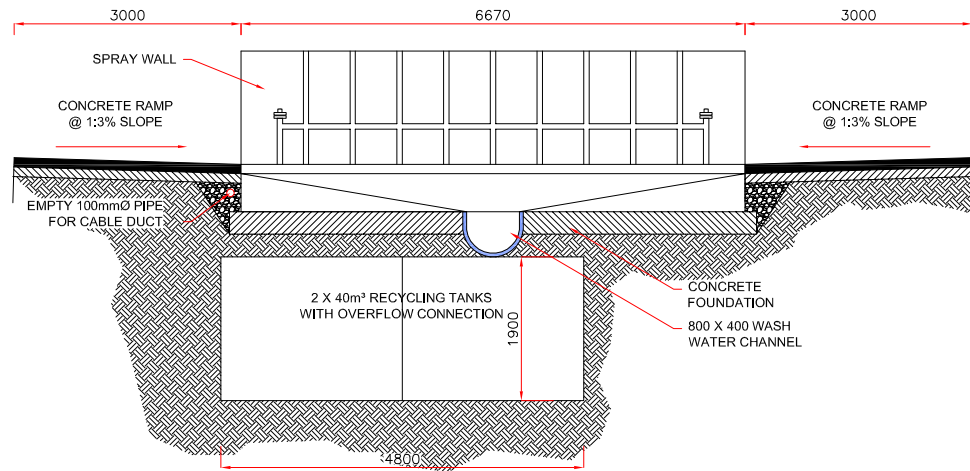
TOBIN
 Patrick J. Tobin & Co. Ltd.
 Consulting, Civil and Structural Engineers,
 Block 10-3, Blanchardstown Corporate Park,
 Dublin 15, Ireland.
 tel: +353-(0)1-8030406
 fax: +353-(0)1-8030409
 e-mail: info@tobin.ie
 www.tobin.ie

No part of this document may be reproduced or transmitted in any form or stored in any retrieval system of any nature without the written permission of Patrick J. Tobin & Co. Ltd. as copyright holder except as agreed for use on the project for which the document was originally issued.

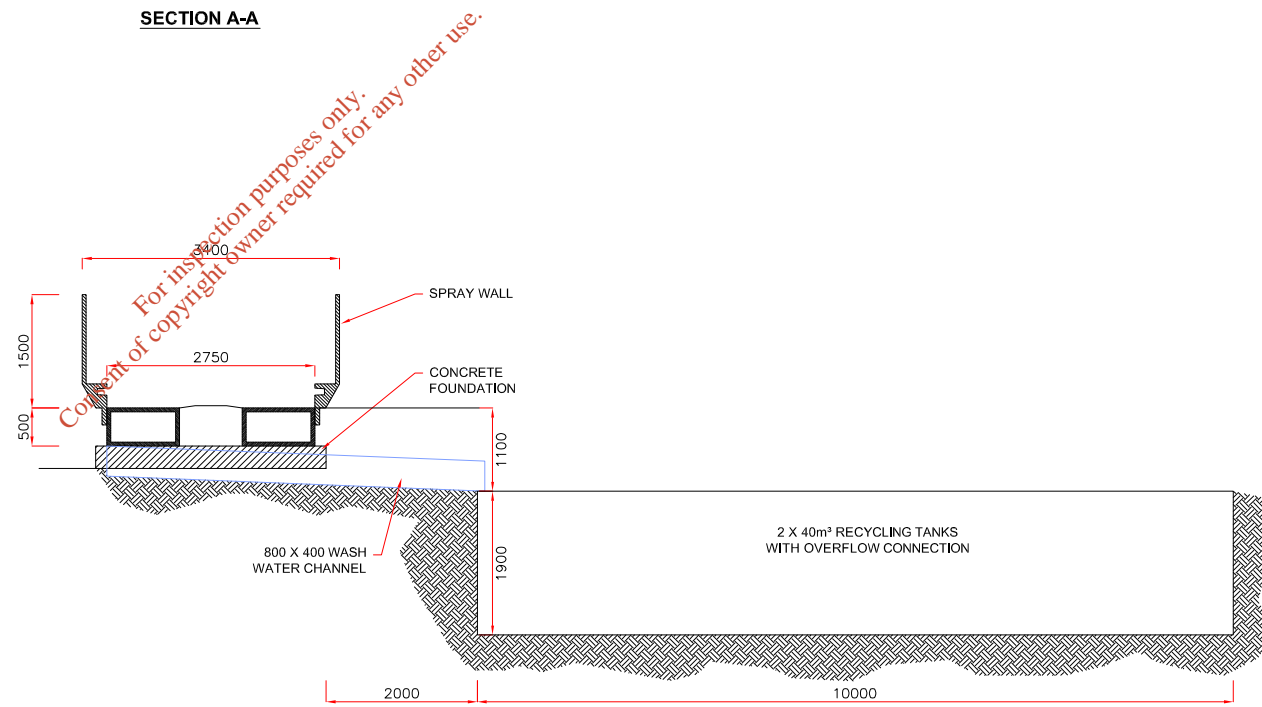
Drawing No.: **6301-2314** Issue: **A**



PLAN ON WHEELWASH



SECTION A-A



SECTION B-B

- NOTES
1. FIGURED DIMENSIONS ONLY TO BE TAKEN FROM THIS DRAWING
 2. ALL DRAWINGS TO BE CHECKED BY THE CONTRACTOR ON SITE
 3. ENGINEER TO BE INFORMED BY THE CONTRACTOR OF ANY DISCREPANCIES BEFORE ANY WORK COMMENCES
 4. ALL LEVELS SHOWN RELATE TO ORDNANCE SURVEY DATUM AT MALIN HEAD

Issue	Date	Description	By	Chkd.
A	27.06.12	ISSUED FOR WASTE LICENCE	M.N.	D.C.

Client:
BORD NA MÓNA

Project:
DREHID MECHANICAL BIOLOGICAL TREATMENT (MBT) FACILITY

Title:
STANDARD WHEELWASH DETAILS

Scale @ A3: 1:100

Prepared by:	Checked:	Date:
M. Nolan	D. Conneran	May 2012
Project Director:	D. Grehan	

TOBIN
 Patrick J. Tobin & Co. Ltd.
 Consulting, Civil and Structural Engineers,
 Block 10-3, Blanchardstown Corporate Park,
 Dublin 15, Ireland.
 tel: +353-(0)1-8030406
 fax: +353-(0)1-8030409
 e-mail: info@tobin.ie
 www.tobin.ie

No part of this document may be reproduced or transmitted in any form or stored in any retrieval system of any nature without the written permission of Patrick J. Tobin & Co. Ltd. as copyright holder except as agreed for use on the project for which the document was originally issued.

Drawing No.: **6301-2315** Issue: **A**