

## APPENDIX 6

### Waste Licence Application Figures

*For inspection purposes only.  
Consent of copyright owner required for any other use.*

BORD NA MÓNA 

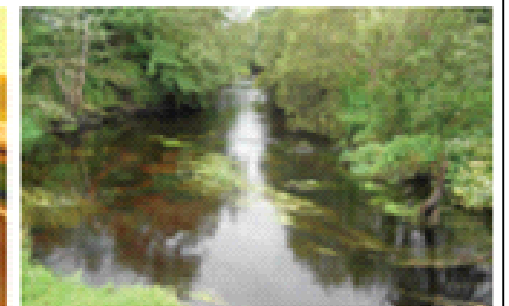
DREHID MECHANICAL  
BIOLOGICAL TREATMENT  
(MBT) FACILITY

WASTE LICENCE APPLICATION  
FIGURES - APPENDIX 6  
JUNE 2012

*For inspection purposes only.  
Consent of copyright owner required for any other use.*



TOBIN CONSULTING ENGINEERS

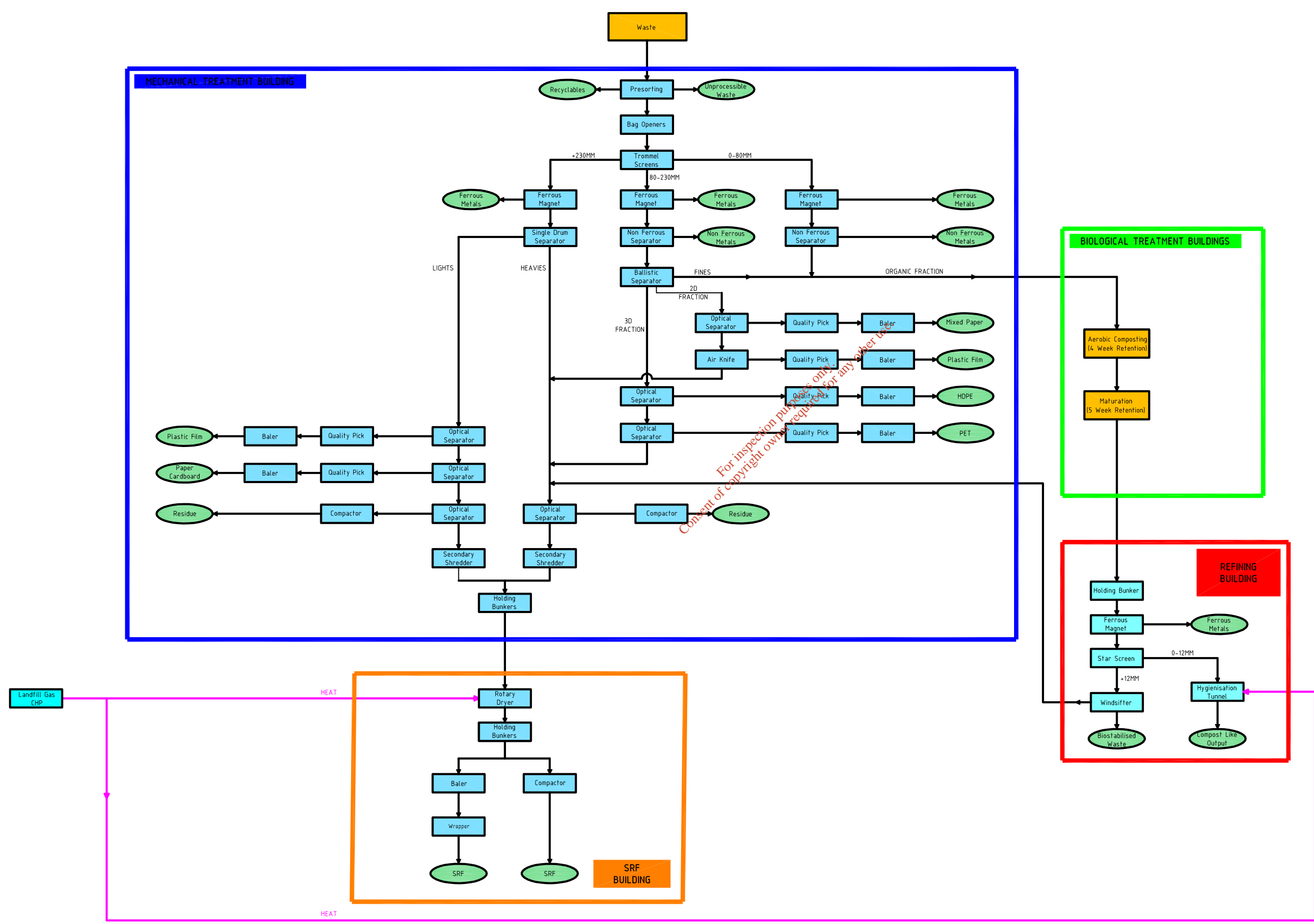


**DREHID MECHANICAL BIOLOGICAL TREATMENT FACILITY  
APPENDIX 6 WASTE LICENCE FIGURES - WASTE LICENCE APPLICATION  
JUNE 2012**

| DRAWING NUMBER | DESCRIPTION  | SCALE    |
|----------------|--|----------|
| FIGURE 1       | PROCESS FLOW DIAGRAM - CONFIGURATION A (MBT WITH COMPOSTING)   | NTS      |
| FIGURE 2       | PROCESS FLOW DIAGRAM - CONFIGURATION B (MBT WITH DRY ANAEROBIC DIGESTION & COMPOSTING)                                 | NTS      |
| FIGURE 3A      | EMISSION POINT LOCATIONS - CONFIGURATION A (MBT WITH COMPOSTING)   | 1:2,500  |
| FIGURE 3B      | EMISSION POINT LOCATIONS - CONFIGURATION B (MBT WITH DRY ANAEROBIC DIGESTION & COMPOSTING)                             | 1:2,500  |
| FIGURE 4       | BUILDING VENTILATION & ODOUR ABATEMENT SYSTEM LAYOUT - CONFIGURATION A (MBT WITH COMPOSTING)                           | NTS      |
| FIGURE 5       | BUILDING VENTILATION & ODOUR ABATEMENT SYSTEM LAYOUT - CONFIGURATION B (MBT WITH DRY ANAEROBIC DIGESTION & COMPOSTING) | NTS      |
| FIGURE 6       | PROPOSED ENVIRONMENTAL MONITORING LOCATIONS (MBT)  | 1:30,000 |
| FIGURE 7A      | MONITORING POINT LOCATIONS - CONFIGURATION A (MBT WITH COMPOSTING)   | 1:2,500  |
| FIGURE 7B      | MONITORING POINT LOCATIONS - CONFIGURATION B (MBT WITH DRY ANAEROBIC DIGESTION & COMPOSTING)                           | 1:2,500  |

For inspection purposes only.  
Consent of copyright owner required for any other use.

CONFIGURATION A  
(MBT WITH COMPOSTING)



| Issue | Date     | Description              | By   | Chkd. |
|-------|----------|--------------------------|------|-------|
| A     | 27.06.12 | ISSUED FOR WASTE LICENCE | M.N. | D.C.  |

Client:  
**BORD NA MÓNA**

Project:  
**DREHID MECHANICAL BIOLOGICAL TREATMENT (MBT) FACILITY**

Title:  
**PROCESS FLOW DIAGRAM CONFIGURATION A (MBT WITH COMPOSTING)**

Scale @ A3: **NTS**

Prepared by: **M. Nolan**    Checked: **D. Conneran**    Date: **May 2012**

Project Director: **D. Grehan**

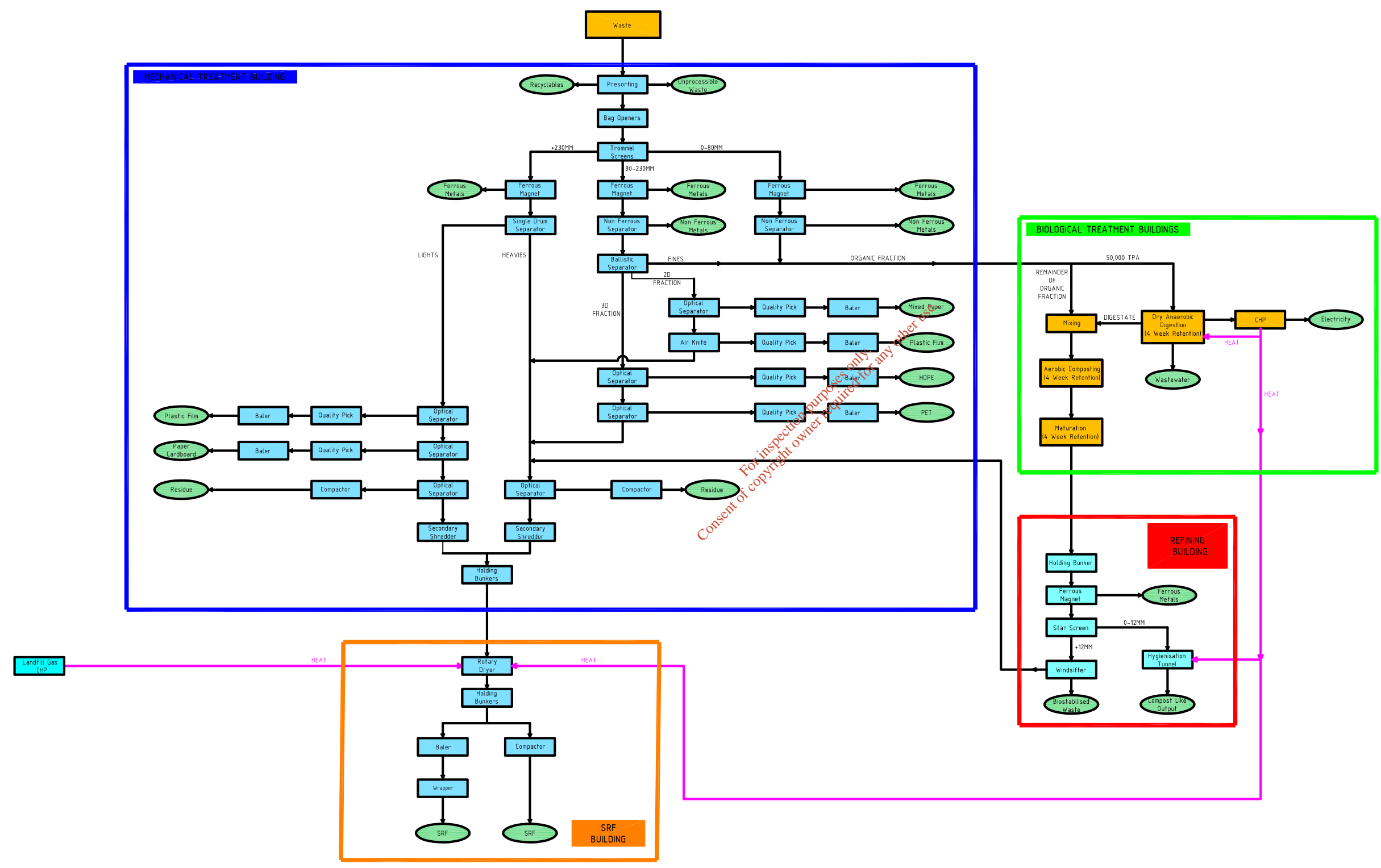
**TOBIN**  
Patrick J. Tobin & Co. Ltd.  
Consulting, Civil and Structural Engineers,  
Block 10-4, Blanchardstown Corporate Park,  
Dublin 15, Ireland.  
tel: +353-(0)1-8030406  
fax: +353-(0)1-8030409  
e-mail: info@tobin.ie  
www.tobin.ie

No part of this document may be reproduced or transmitted in any form or by any means, electronic or mechanical, including photocopying, recording, or by any information storage and retrieval system, without the written permission of Patrick J. Tobin & Co. Ltd. An copyright notice must be placed on the project for which the document was originally issued.

Issue:  
**A**

Drawing No.: **Figure 1**

**CONFIGURATION B**  
**(MBT WITH DRY ANAEROBIC DIGESTION & COMPOSTING)**



| Issue | Date     | Description              | By   | Chkd. |
|-------|----------|--------------------------|------|-------|
| A     | 27.06.12 | ISSUED FOR WASTE LICENCE | M.N. | D.C.  |

Client:  
**BORD NA MÓNA**

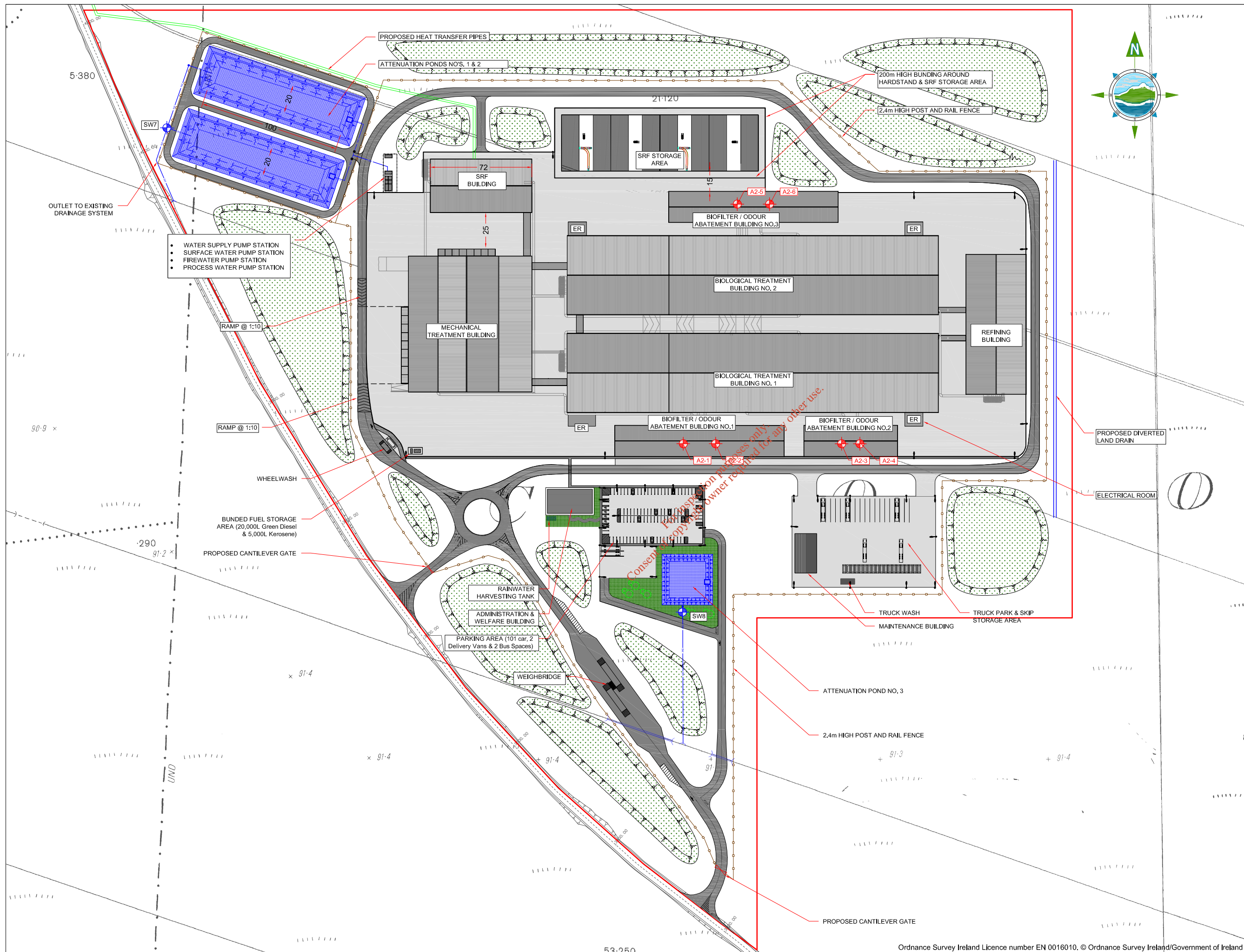
Project:  
**DREHID MECHANICAL BIOLOGICAL TREATMENT (MBT) FACILITY**

Title:  
**PROCESS FLOW DIAGRAM CONFIGURATION B (MBT WITH DRY ANAEROBIC DIGESTION & COMPOSTING)**

Scale @ A3: **NTS**  
Prepared by: **M. Nolan** Checked: **D. Conneran** Date: **May 2012**  
Project Director: **D. Grehan**

**TOBIN**  
Patrick J. Tobin & Co. Ltd.  
Consulting, Civil and Structural Engineers,  
Block 10-4, Blanchardstown Corporate Park,  
Dublin 15, Ireland.  
tel: +353-(0)1-8030406  
fax: +353-(0)1-8030409  
e-mail: info@tobin.ie  
www.tobin.ie

No part of this document may be reproduced or transmitted in any form or by any means without the written permission of Patrick J. Tobin & Co. Ltd. an copyright holder except as agreed for use on the project for which the document was originally issued.  
Drawing No.: **Figure 2** Issue: **A**



**GENERAL LEGEND**

ACTIVITY BOUNDARY —

BIOFILTER STACK

SURFACE WATER EMISSION POINTS

- NOTES:**
- FIGURED DIMENSIONS ONLY TO BE TAKEN FROM THIS DRAWING.
  - ALL DRAWINGS TO BE CHECKED BY THE CONTRACTOR ON SITE
  - ENGINEER/EMPLOYERS REPRESENTATIVE, AS APPROPRIATE, TO BE INFORMED BY THE CONTRACTOR OF ANY DISCREPANCIES BEFORE ANY WORK COMMENCES
  - THE CONTRACTOR SHALL UNDERTAKE A THOROUGH CHECK FOR THE ACTUAL LOCATION OF ALL SERVICES/UTILITIES, ABOVE AND BELOW GROUND, BEFORE ANY WORK COMMENCES
  - ALL LEVELS SHOWN RELATE TO ORDNANCE SURVEY DATUM AT MALIN HEAD

| Issue | Date     | Description              | By   | Chkd. |
|-------|----------|--------------------------|------|-------|
| A     | 27.06.12 | ISSUED FOR WASTE LICENCE | M.N. | D.C.  |

Client:

**BORD NA MÓNA**

Project:

**DREHID  
MECHANICAL BIOLOGICAL  
TREATMENT (MBT) FACILITY**

Title:

**EMISSION POINT  
LOCATIONS**

(Configuration A: MBT with Composting)

Scale @ A3: 1:2,500

Prepared by: M. Nolan      Checked: D. Conneran      Date: May 2012

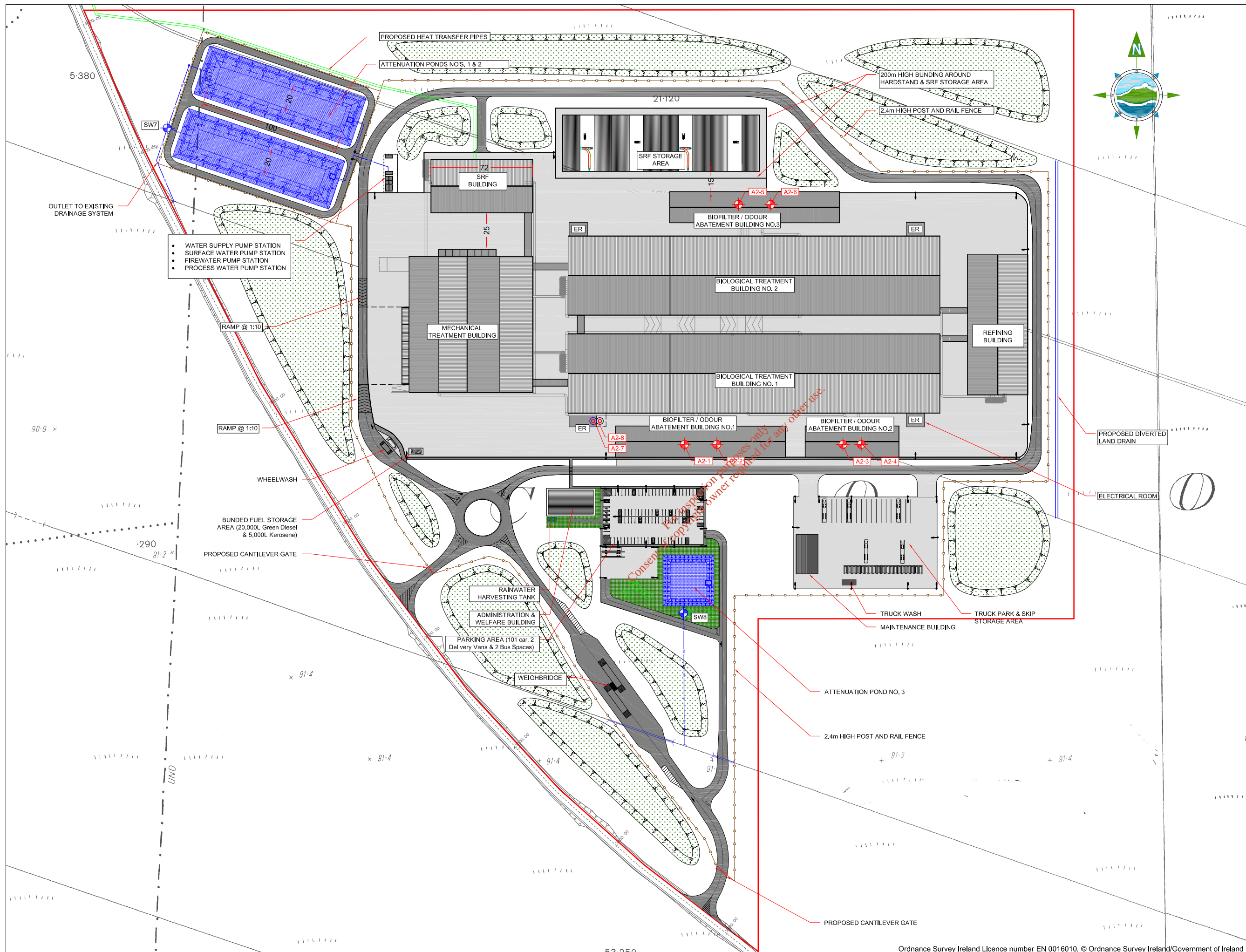
Project Director: D. Grehan

**TOBIN**  
Patrick J. Tobin & Co. Ltd.

Consulting, Civil and Structural Engineers,  
Block 10-4, Blanchardstown Corporate Park,  
Dublin 15, Ireland.  
tel: +353-(0)1-8030406  
fax: +353-(0)1-8030409  
e-mail: info@tobin.ie  
www.tobin.ie

No part of this document may be reproduced or transmitted in any form or stored in any retrieval system of any nature without the written permission of Patrick J. Tobin & Co. Ltd. as copyright holder except as agreed for use on the project for which the document was originally issued.

Drawing No.: **Figure 3A**      Issue: **A**



**GENERAL LEGEND**

ACTIVITY BOUNDARY —

CHP STACK ⊙

STAND BY GAS FLARE STACK ⊙

BIOFILTER STACK ⊙

SURFACE WATER EMISSION POINTS ⊙

**NOTE :**

CHP STACK AND STAND BY GAS FLARE STACK ARE ONLY RELEVANT TO CONFIGURATION B.  
(MBT With dry Anaerobic digestion and composting)

- NOTES :**
- FIGURED DIMENSIONS ONLY TO BE TAKEN FROM THIS DRAWING.
  - ALL DRAWINGS TO BE CHECKED BY THE CONTRACTOR ON SITE
  - ENGINEER/EMPLOYERS REPRESENTATIVE, AS APPROPRIATE, TO BE INFORMED BY THE CONTRACTOR OF ANY DISCREPANCIES BEFORE ANY WORK COMMENCES
  - THE CONTRACTOR SHALL UNDERTAKE A THOROUGH CHECK FOR THE ACTUAL LOCATION OF ALL SERVICES/UTILITIES, ABOVE AND BELOW GROUND, BEFORE ANY WORK COMMENCES
  - ALL LEVELS SHOWN RELATE TO ORDNANCE SURVEY DATUM AT MALIN HEAD

| Issue | Date     | Description              | By   | Chkd. |
|-------|----------|--------------------------|------|-------|
| A     | 27.06.12 | ISSUED FOR WASTE LICENCE | M.N. | D.C.  |

Client:

**BORD NA MÓNA**

Project:

**DREHID  
MECHANICAL BIOLOGICAL  
TREATMENT (MBT) FACILITY**

Title:

**EMISSION POINT  
LOCATIONS  
(Configuration B: MBT with dry Anaerobic  
Digestion & Composting)**

Scale @ A3: 1:2,500

Prepared by: M. Nolan      Checked: D. Conneran      Date: May 2012

Project Director: D. Grehan

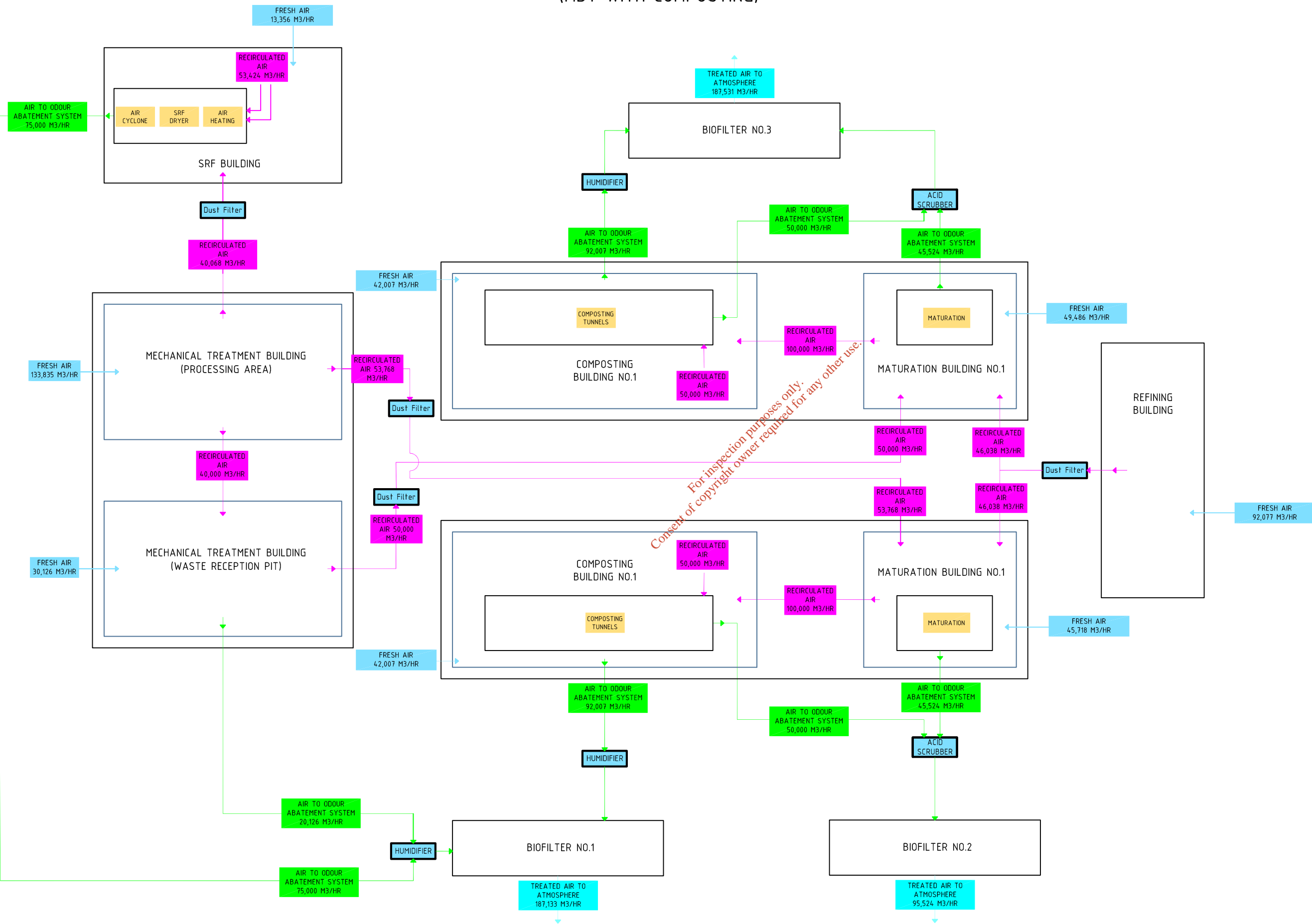
**TOBIN**  
Patrick J. Tobin & Co. Ltd.

Consulting, Civil and Structural Engineers,  
Block 10-4, Blanchardstown Corporate Park,  
Dublin 15, Ireland.  
tel: +353-(0)1-8030406  
fax: +353-(0)1-8030409  
e-mail: info@tobin.ie  
www.tobin.ie

No part of this document may be reproduced or transmitted in any form or stored in any retrieval system of any nature without the written permission of Patrick J. Tobin & Co. Ltd. as copyright holder except as agreed for use on the project for which the document was originally issued.

Drawing No.: **Figure 3B**      Issue: **A**

# CONFIGURATION A (MBT WITH COMPOSTING)



For inspection purposes only.  
Consent of copyright owner required for any other use.

| Issue | Date     | Description              | By   | Chkd. |
|-------|----------|--------------------------|------|-------|
| A     | 27.06.12 | ISSUED FOR WASTE LICENCE | M.N. | D.C.  |

Client:  
**BORD NA MÓNA**

Project:  
**DREHID MECHANICAL BIOLOGICAL TREATMENT (MBT) FACILITY**

Title:  
**BUILDING VENTILATION & ODOUR ABATEMENT SYSTEM LAYOUT (Configuration A: MBT With Composting)**

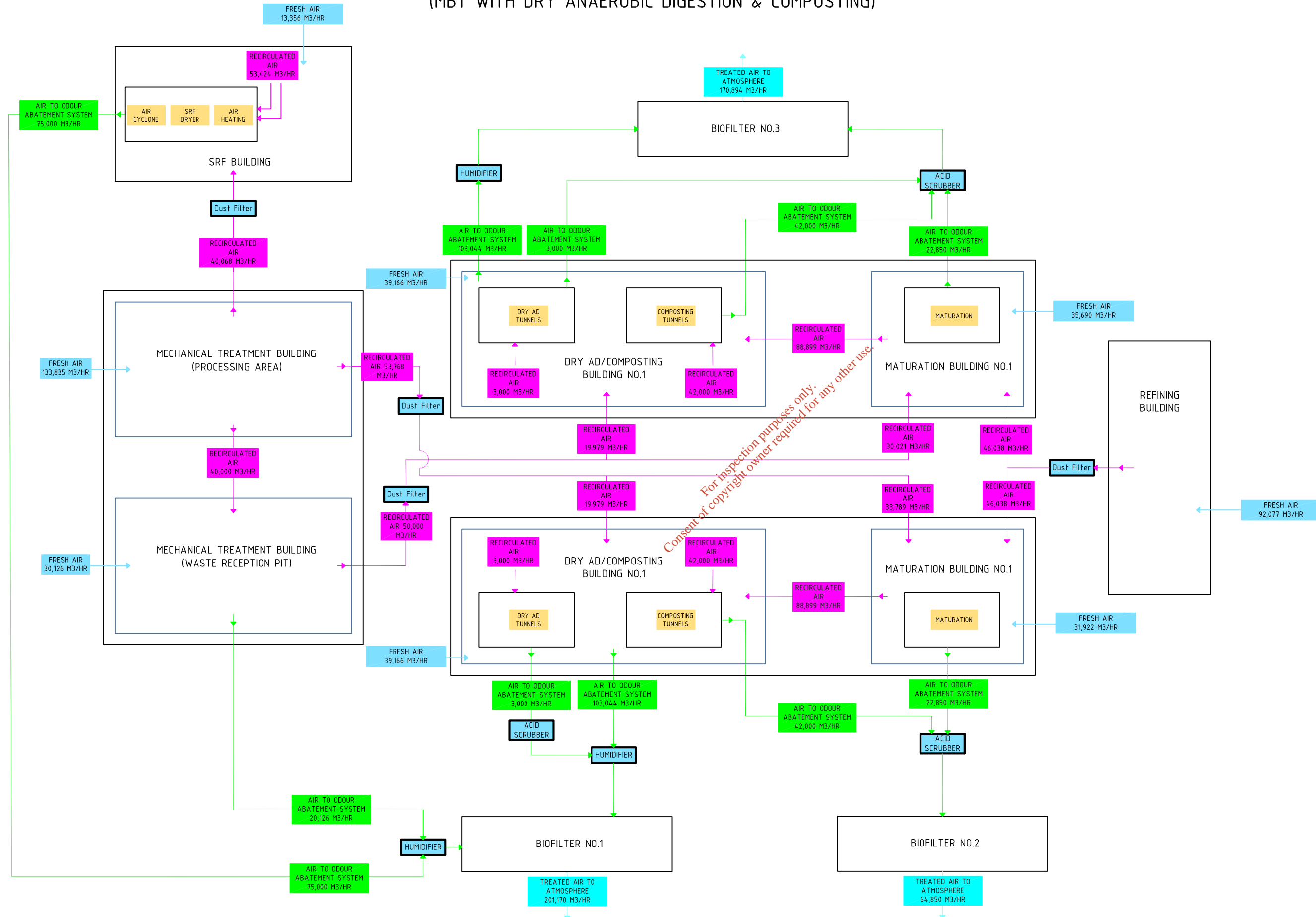
Scale @ A3: **NTS**  
Prepared by: **M. Nolan** | Checked: **D. Conneran** | Date: **May 2012**  
Project Director: **D. Grehan**

**TOBIN**  
Patrick J. Tobin & Co. Ltd.  
Consulting, Civil and Structural Engineers,  
Block 10-4, Blanchardstown Corporate Park,  
Dublin 15, Ireland.  
tel: +353-(0)1-8030406  
fax: +353-(0)1-8030409  
e-mail: info@tobin.ie  
www.tobin.ie

Issue:  
Drawing No.: **Figure 4** **A**



## CONFIGURATION B (MBT WITH DRY ANAEROBIC DIGESTION & COMPOSTING)



For inspection purposes only.  
Consent of copyright owner required for any other use.

| Issue | Date     | Description              | By   | Chkd. |
|-------|----------|--------------------------|------|-------|
| A     | 27.06.12 | ISSUED FOR WASTE LICENCE | M.N. | D.C.  |

Client:  
**BORD NA MÓNA**

Project:  
**DREHID  
MECHANICAL BIOLOGICAL  
TREATMENT (MBT) FACILITY**

Title:  
**BUILDING VENTILATION &  
ODOUR ABATEMENT SYSTEM LAYOUT  
(Configuration B: MBT with dry Anaerobic  
Digestion & Composting)**

Scale @ A3: **NTS**

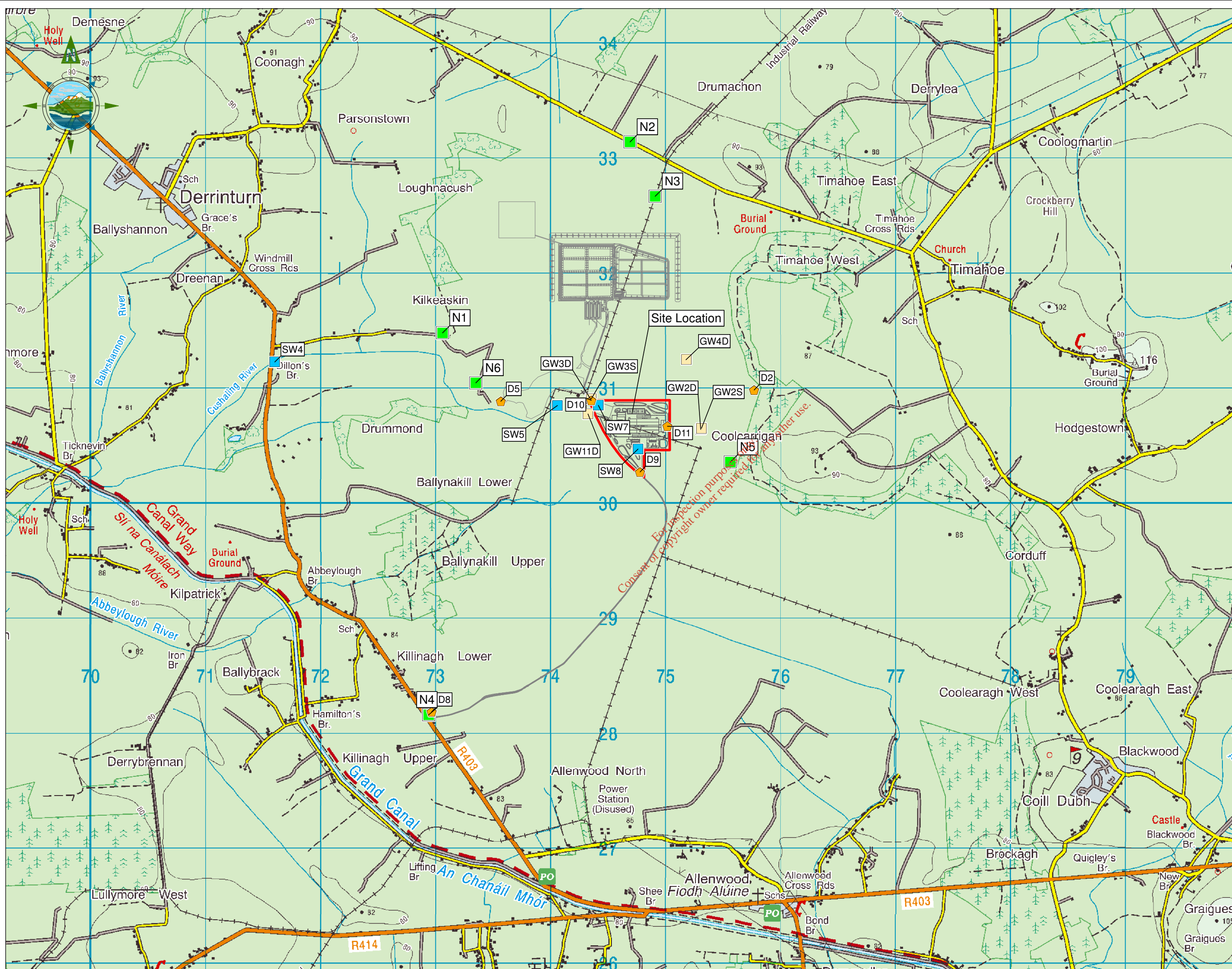
Prepared by: **M. Nolan**      Checked: **D. Conneran**      Date: **May 2012**

Project Director: **D. Grehan**

**TOBIN**  
Patrick J. Tobin & Co. Ltd.  
Consulting, Civil and Structural Engineers,  
Block 10-4, Blanchardstown Corporate Park,  
Dublin 15, Ireland.  
tel: +353-(0)1-8030406  
fax: +353-(0)1-8030409  
e-mail: info@tobin.ie  
www.tobin.ie

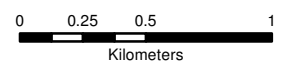
No part of this document may be reproduced or transmitted in any form or stored in any retrieval system of any nature without the written permission of Patrick J. Tobin & Co. Ltd. An copyright holder consent is given for use on the project for which this document was originally issued.

Drawing No.: **Figure 5**      Issue: **A**



**Legend**

- ◆ Dust Monitoring Locations
- Surface Water Monitoring Locations
- Groundwater Monitoring Locations
- Noise Monitoring Locations
- Site Boundary
- Landownership Boundary
- ▲ Air Monitoring Locations to be agreed with EPA



- NOTES**
1. FIGURED DIMENSIONS ONLY TO BE TAKEN FROM THIS DRAWING
  2. ALL DRAWINGS TO BE CHECKED BY THE CONTRACTOR ON SITE
  3. ENGINEER TO BE INFORMED OF ANY DISCREPANCIES BEFORE ANY WORK COMMENCES
  4. ALL LEVELS RELATE TO ORDNANCE SURVEY DATUM AT MALIN HEAD

| Issue | Date     | Description              | By   | Chkd. |
|-------|----------|--------------------------|------|-------|
| A     | 05-06-12 | Issued for Waste License | G.F. | J.D.  |

Client:  
**BORD NA MÓNA**

Project:  
 DREHID  
 MECHANICAL BIOLOGICAL  
 TREATMENT (MBT) FACILITY

Title:  
 PROPOSED ENVIRONMENTAL  
 MONITORING LOCATIONS (MBT)

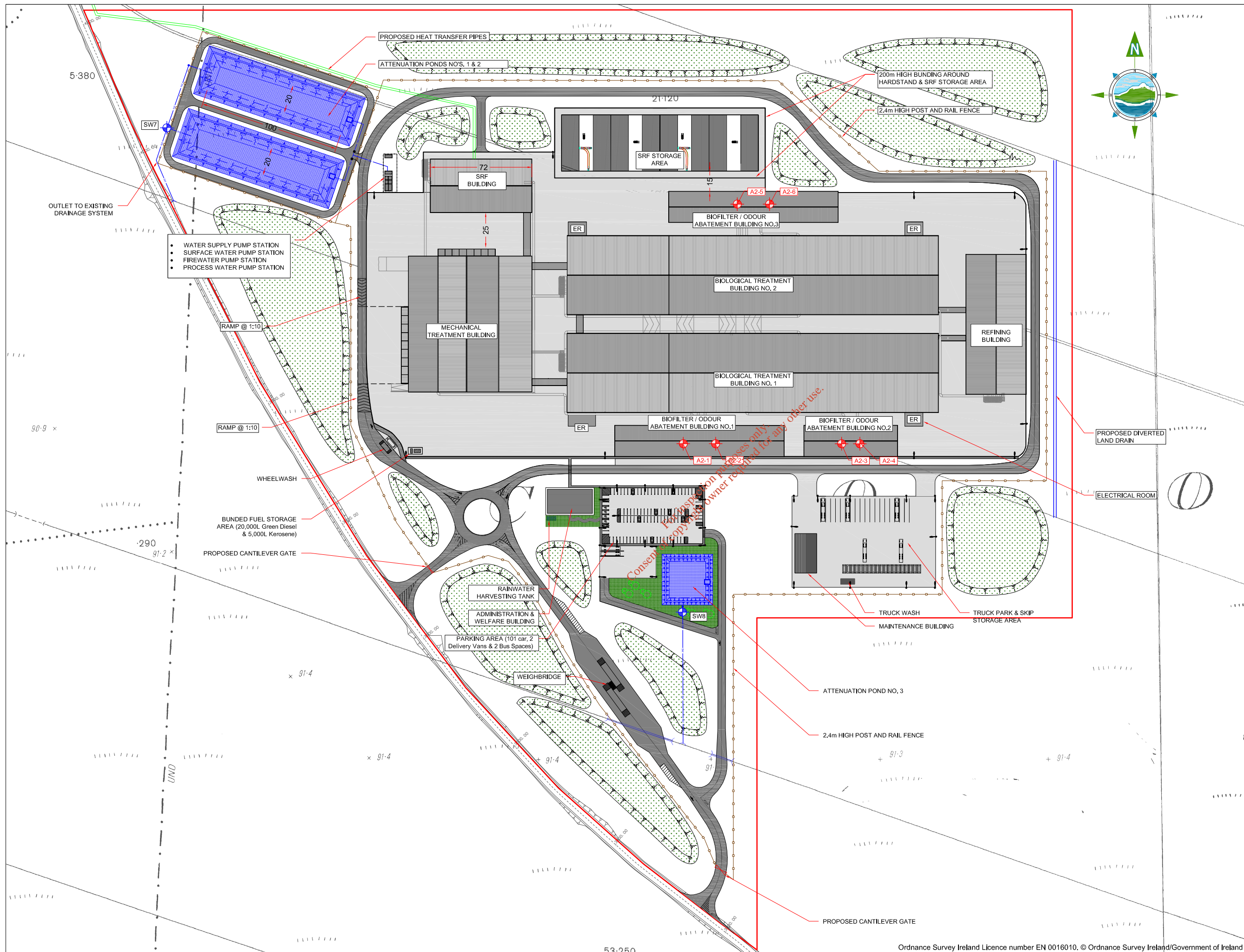
Scale @ A3: 1:30,000

|              |            |          |
|--------------|------------|----------|
| Prepared by: | Checked:   | Date:    |
| G.Fil        | S.Tinnelly | May 2012 |

Project Director: D.Grehan

Consulting, Civil and Structural Engineers,  
 Block 10-4, Blanchardstown Corporate Park,  
 Dublin 15, Ireland.  
 tel: +353-(0)1-8030406  
 fax: +353-(0)1-8030409  
 e-mail: info@tobin.ie  
 www.tobin.ie

6301  
**Figure 6** A



**GENERAL LEGEND**

- ACTIVITY BOUNDARY —
- BIOFILTER STACK
- SURFACE WATER MONITORING POINTS

**NOTES:**

1. FIGURED DIMENSIONS ONLY TO BE TAKEN FROM THIS DRAWING.
2. ALL DRAWINGS TO BE CHECKED BY THE CONTRACTOR ON SITE
3. ENGINEER/EMPLOYERS REPRESENTATIVE, AS APPROPRIATE, TO BE INFORMED BY THE CONTRACTOR OF ANY DISCREPANCIES BEFORE ANY WORK COMMENCES
4. THE CONTRACTOR SHALL UNDERTAKE A THOROUGH CHECK FOR THE ACTUAL LOCATION OF ALL SERVICES/UTILITIES, ABOVE AND BELOW GROUND, BEFORE ANY WORK COMMENCES
5. ALL LEVELS SHOWN RELATE TO ORDNANCE SURVEY DATUM AT MALIN HEAD

| Issue | Date     | Description              | By   | Chkd. |
|-------|----------|--------------------------|------|-------|
| A     | 27.06.12 | ISSUED FOR WASTE LICENCE | M.N. | D.C.  |

Client:



Project:

**DREHID  
MECHANICAL BIOLOGICAL  
TREATMENT (MBT) FACILITY**

Title:

**MONITORING POINT  
LOCATIONS**

(Configuration A: MBT with Composting)

Scale @ A3: 1:2,500

Prepared by: M. Nolan      Checked: D. Conneran      Date: May 2012

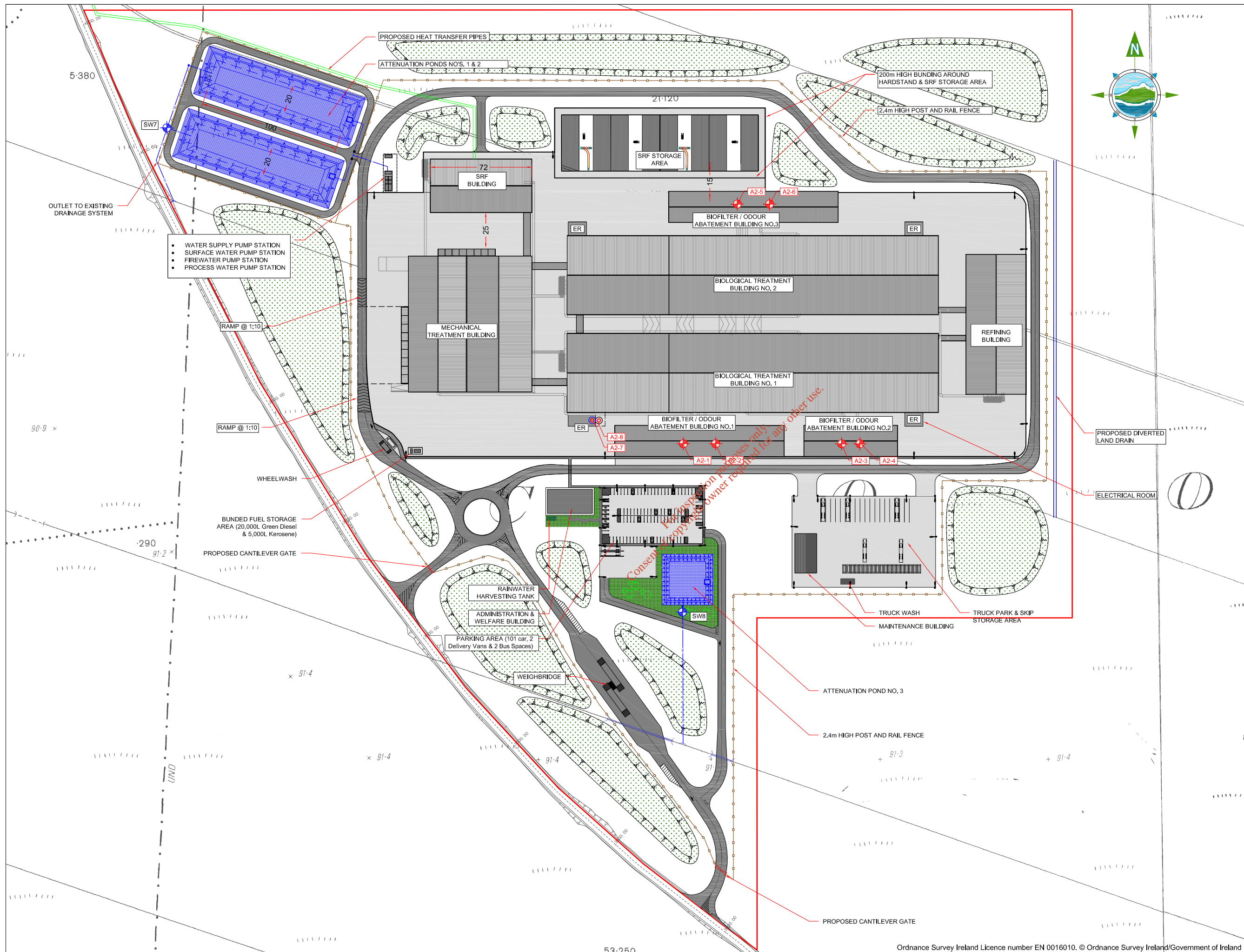
Project Director: D. Grehan



Consulting, Civil and Structural Engineers,  
Block 10-4, Blanchardstown Corporate Park,  
Dublin 15, Ireland.  
tel: +353-(0)1-8030406  
fax: +353-(0)1-8030409  
e-mail: info@tobin.ie  
www.tobin.ie

No part of this document may be reproduced or transmitted in any form or stored in any retrieval system of any nature without the written permission of Patrick J. Tobin & Co. Ltd. as copyright holder except as agreed for use on the project for which the document was originally issued.

Drawing No.: **Figure 7A**      Issue: **A**



**GENERAL LEGEND**

- ACTIVITY BOUNDARY —
- CHP STACK ⊙
- STAND BY GAS FLARE STACK ⊙
- BIOFILTER STACK ⊙
- SURFACE WATER MONITORING POINTS ⊙

**NOTE :**  
 CHP STACK AND STAND BY GAS FLARE STACK ARE ONLY RELEVANT TO CONFIGURATION B.  
 (MBT With dry Anaerobic digestion and composting)

**NOTES :**

1. FIGURED DIMENSIONS ONLY TO BE TAKEN FROM THIS DRAWING.
2. ALL DRAWINGS TO BE CHECKED BY THE CONTRACTOR ON SITE
3. ENGINEER/EMPLOYERS REPRESENTATIVE, AS APPROPRIATE, TO BE INFORMED BY THE CONTRACTOR OF ANY DISCREPANCIES BEFORE ANY WORK COMMENCES
4. THE CONTRACTOR SHALL UNDERTAKE A THOROUGH CHECK FOR THE ACTUAL LOCATION OF ALL SERVICES/UTILITIES, ABOVE AND BELOW GROUND, BEFORE ANY WORK COMMENCES
5. ALL LEVELS SHOWN RELATE TO ORDNANCE SURVEY DATUM AT MALIN HEAD

| Issue | Date     | Description              | By   | Chkd. |
|-------|----------|--------------------------|------|-------|
| A     | 27.06.12 | ISSUED FOR WASTE LICENCE | M.N. | D.C.  |

Client:  
**BORD NA MÓNA**

Project:  
**DREHID  
 MECHANICAL BIOLOGICAL  
 TREATMENT (MBT) FACILITY**

Title:  
**MONITORING POINT  
 LOCATIONS  
 (Configuration B: MBT with dry Anaerobic  
 Digestion & Composting)**

Scale @ A3: **1:2,500**  
 Prepared by: **M. Nolan**    Checked: **D. Conneran**    Date: **May 2012**  
 Project Director: **D. Grehan**

**TOBIN**  
 Patrick J. Tobin & Co. Ltd.  
 Consulting, Civil and Structural Engineers,  
 Block 10-4, Blanchardstown Corporate Park,  
 Dublin 15, Ireland.  
 tel: +353-(0)1-8030406  
 fax: +353-(0)1-8030409  
 e-mail: info@tobin.ie  
 www.tobin.ie

No part of this document may be reproduced or transmitted in any form or stored in any retrieval system of any nature without the written permission of Patrick J. Tobin & Co. Ltd. as copyright holder except as agreed for use on the project for which the document was originally issued.

Drawing No.: **Figure 7B**    Issue: **A**