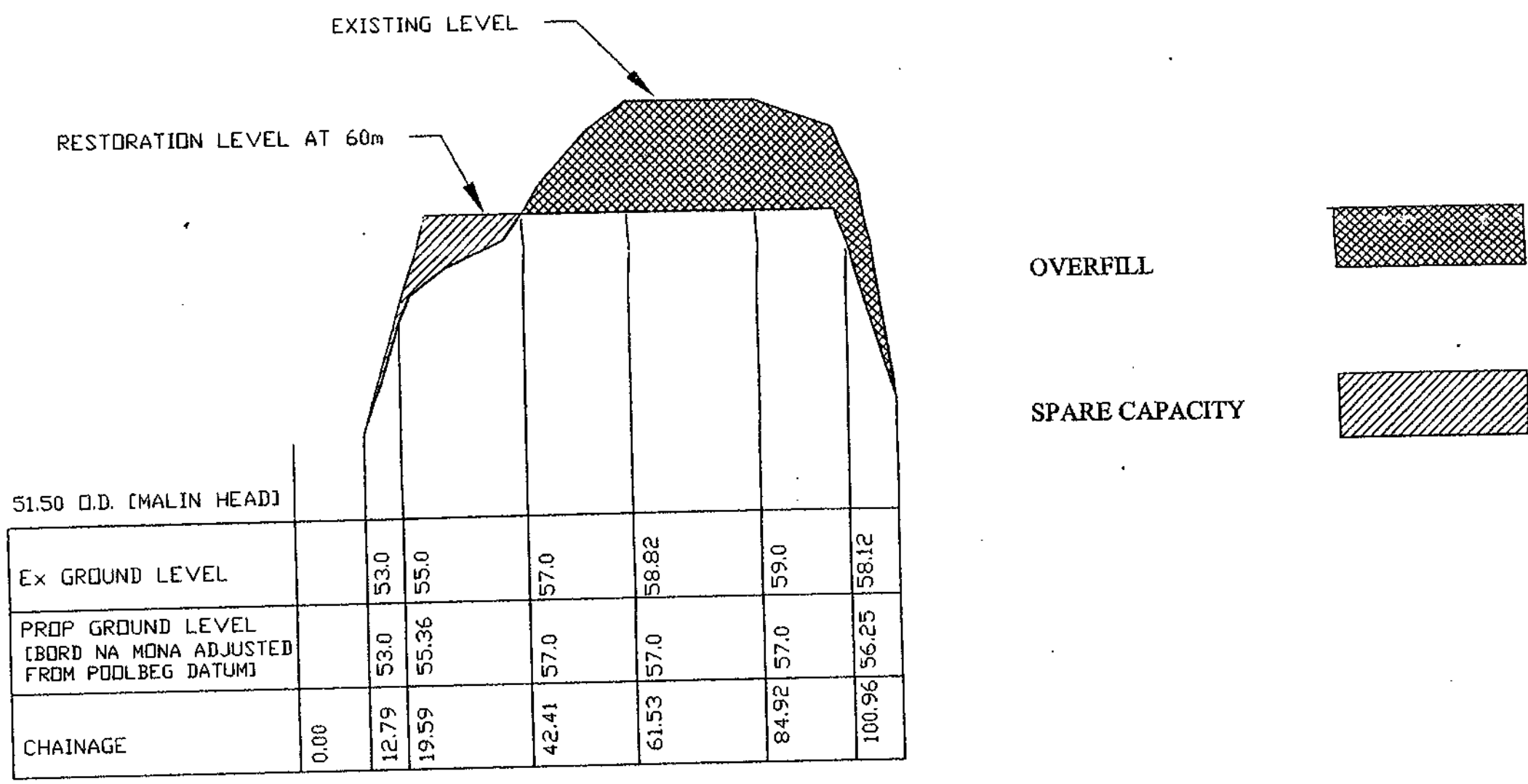
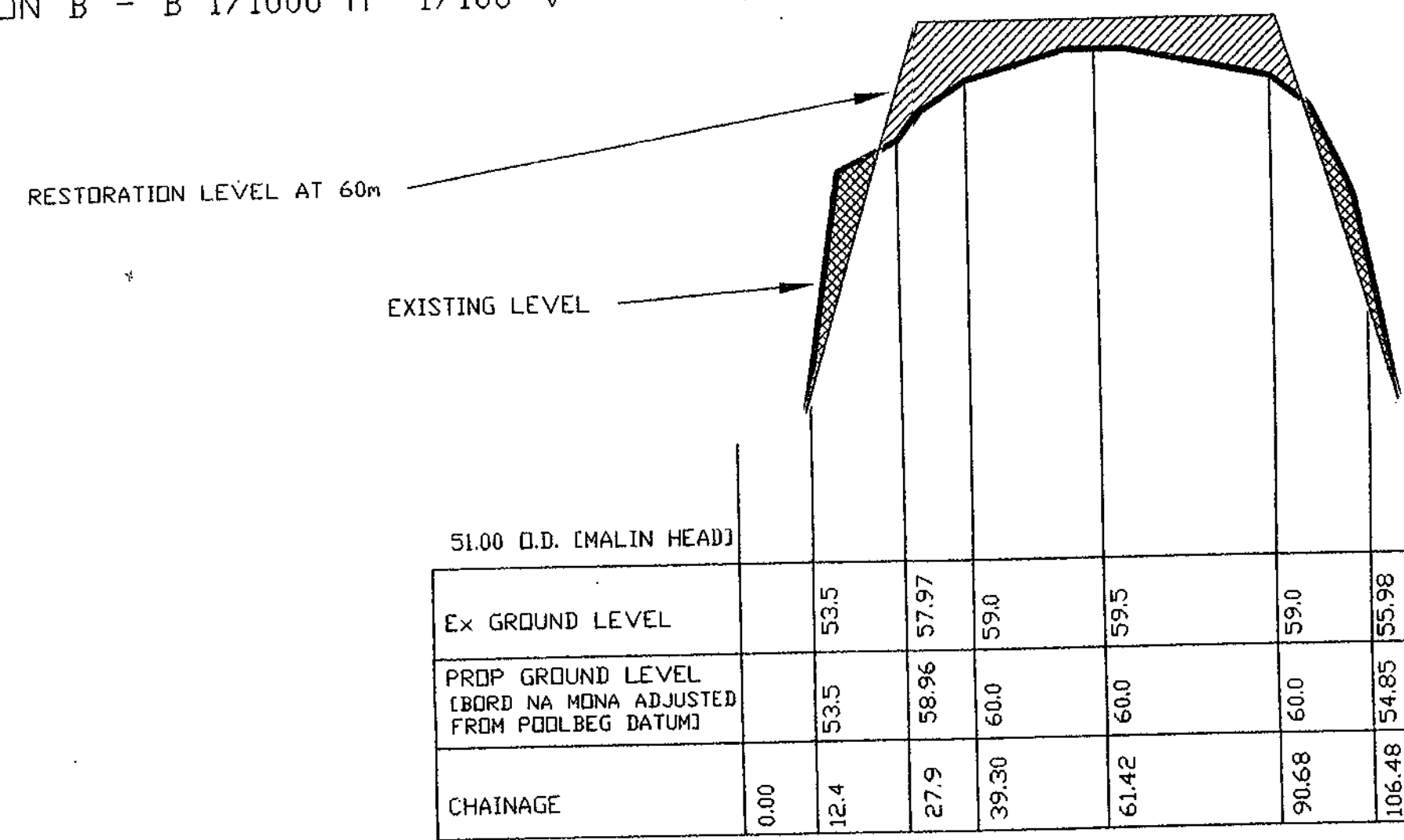


SECTION A - A 1/1000 H 1/100 V

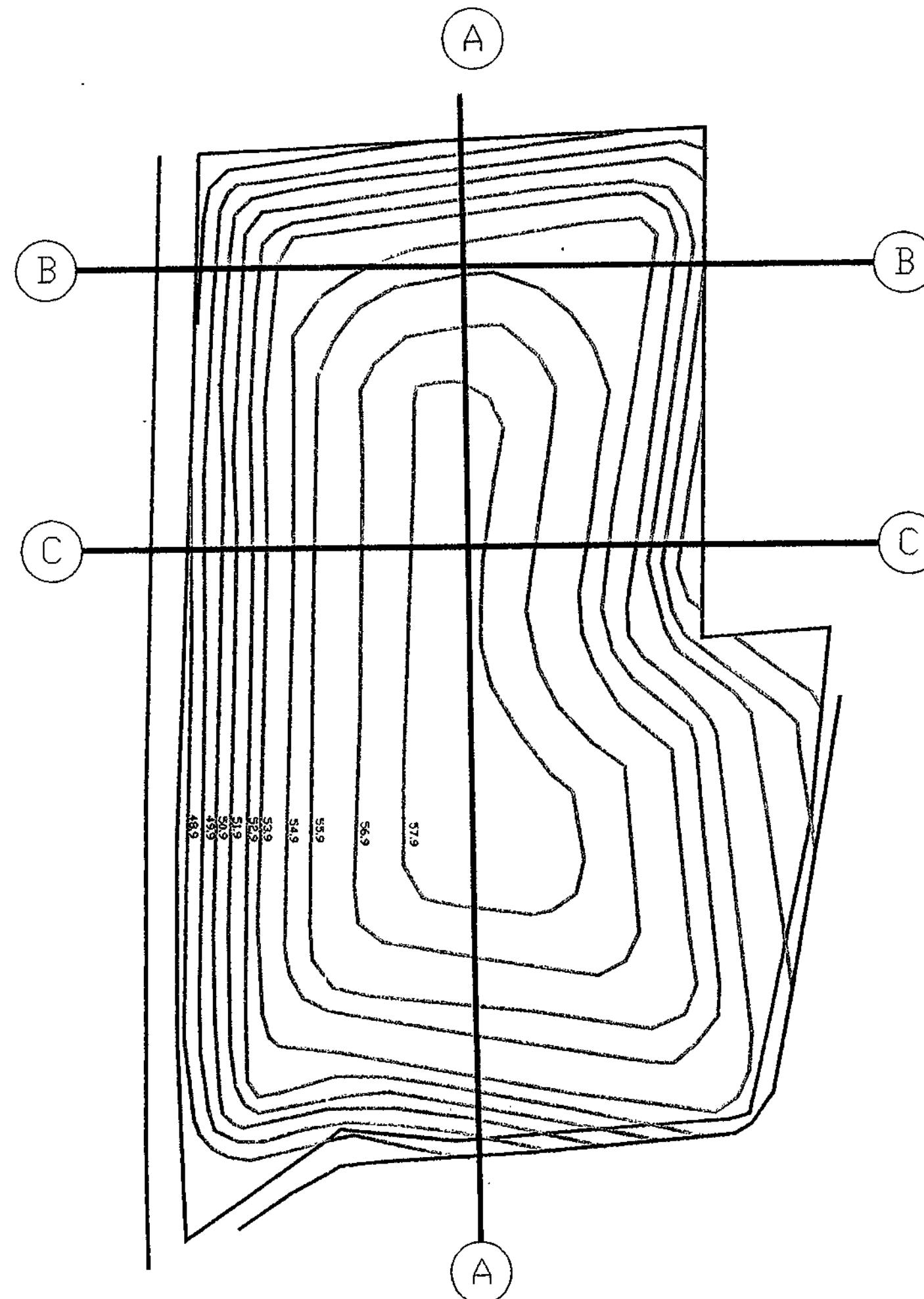


SECTION B - B 1/1000 H 1/100 V

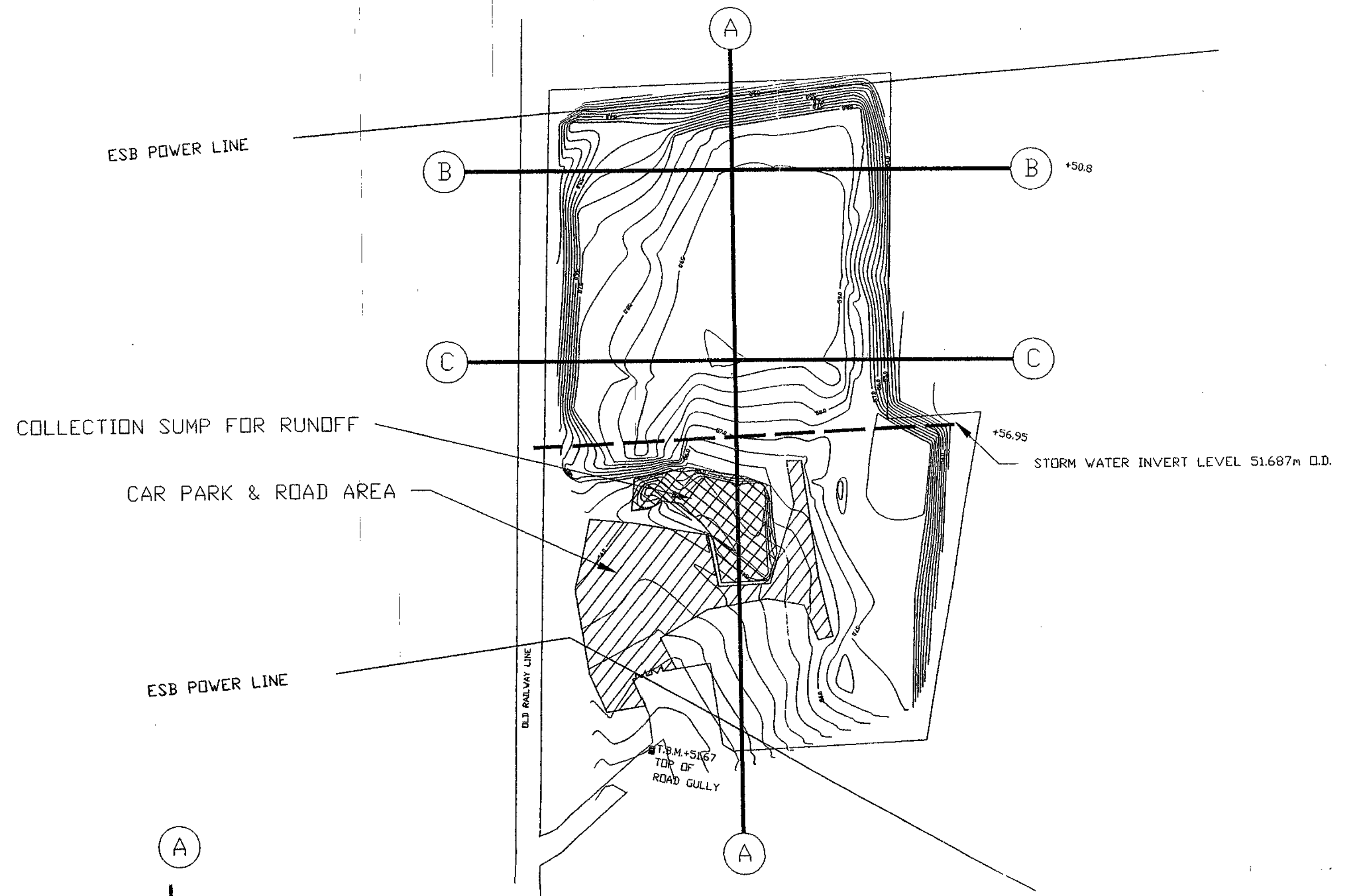


SECTION C - C 1/1000 H 1/100 V

TULLYBARDAN Td.



PROPOSED 60m FINAL RESTORATION CONTOURS LAYOUT PLAN 1/1000



LAYOUT PLAN 1/1000

LEITRIM COUNTY COUNCIL.
 COUNTY ENGINEER'S DEPARTMENT.
 ACTING COUNTY ENGINEER: Patrick Phelan, B.E., C.Eng., M.I.E.I.

TITLE: MOHILL LANDFILL SITE EXISTING AND PROPOSED LEVELS COMP REF MOHDUMP	SURVEYED BY: N.H.	SCALE: AS SHOWN	DATE: 18/10/2001
	DRAWN BY: N.HARAN	O.S. SHEET NO.: 32/12	DRAWING NO.: 01/1
	CHECKED BY:		