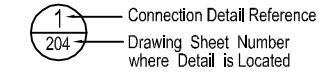
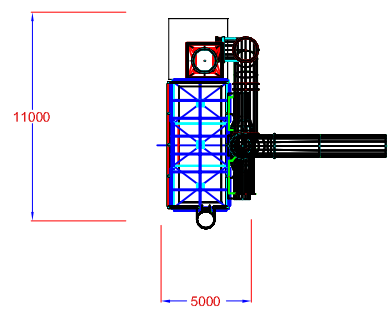


- All Dimensions are in millimeters (mm) unless noted otherwise.
- All levels are in meters and relate to the Ordnance Survey Datum Mean Head.
- The location of existing services is based on information provided by the service provider. The contractor is responsible for contacting all service providers prior to commencing work in any area to locate the precise location of services.

Cross - Reference Numbering System :



EXTRACTION
PLANTS DESIGNED TO HANDLE
A TOTAL AIR VOLUME OF 50000 CFM



FOOTPRINT APPROX.

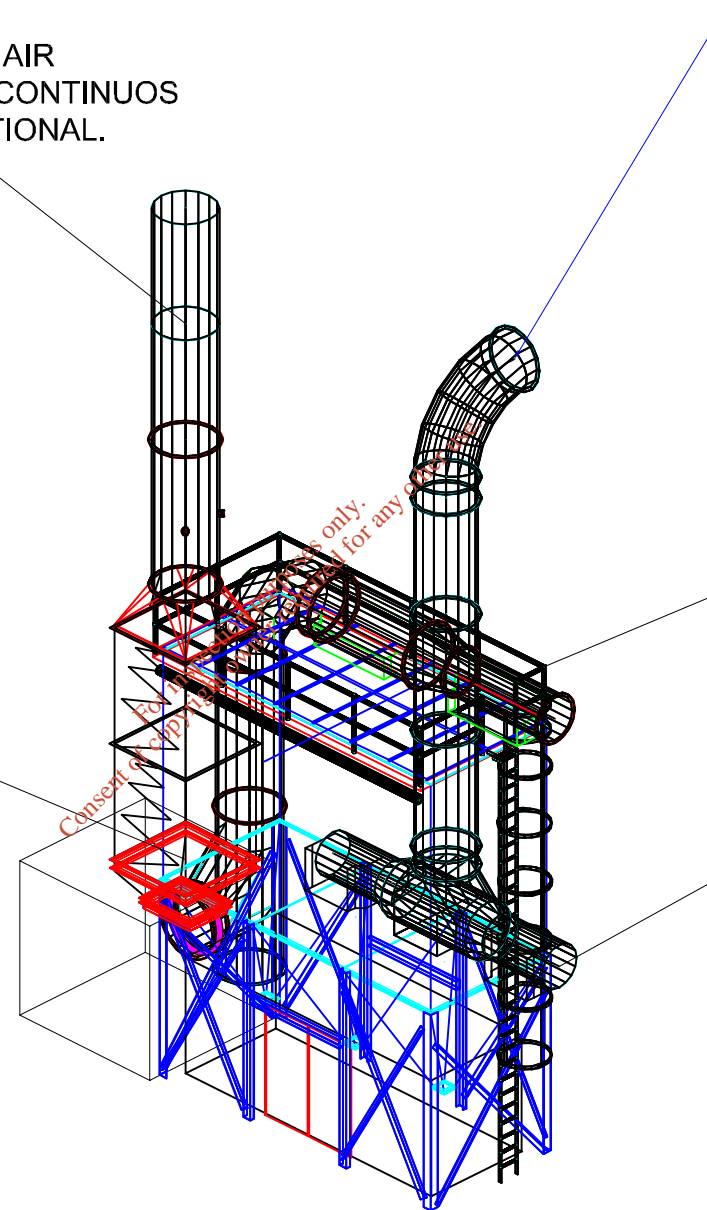
HEAVY DUTY CENTRIFUGAL FAN
MOUNTED INSIDE ACOUSTIC
ENCLOSURE V ROPE DRIVEN
AT 1567 RPM.
90 KW MOTOR.

VERTICAL CLEAN AIR
OUTLET - STACK CONTINUOUS
MONITORING OPTIONAL.

TO EXTRACTION SYSTEM

REVERSE JET DUST COLLECTOR

HEAVY DUTY SUPPORTING
STEELWORK.



GENERAL ARRANGEMENT DUST COLLECTION PLANT

ISO FILTER ARRANGEMENT

REV	DATE	DESCRIPTION	D	C	A

WASTE LICENCE

COPYRIGHT RESERVED - THIS DRAWING IS NOT TO BE USED FOR A PURPOSE OTHER THAN THAT FOR WHICH IT HAS BEEN ISSUED BY NICHOLAS O'DWYER LTD. NOR IS IT TO BE COPIED OR REPRODUCED IN ANY MANNER WITHOUT WRITTEN CONSENT.



DCC, FCC, SDCC & DLRCC



BALLYMOUNT
MATERIALS RECOVERY
FACILITY

PROPOSED DUST
EXTRACTION SYSTEM

SCALES	DRAWN	CHECKED	APPROVED
1:500 @ A1	PF	KMCG	KMCG
	DATE	DATE	DATE
	JUNE 06	JUNE 06	JUNE 06

DRAWING No.	REV
DRAWING 12	-