

No part of this document may be re-produced or transmitted in any form or stored in any retrieval system of any nature without the written permission of the Consulting Engineer as copyright holder except as agreed for use on the project for the document was originally issued.

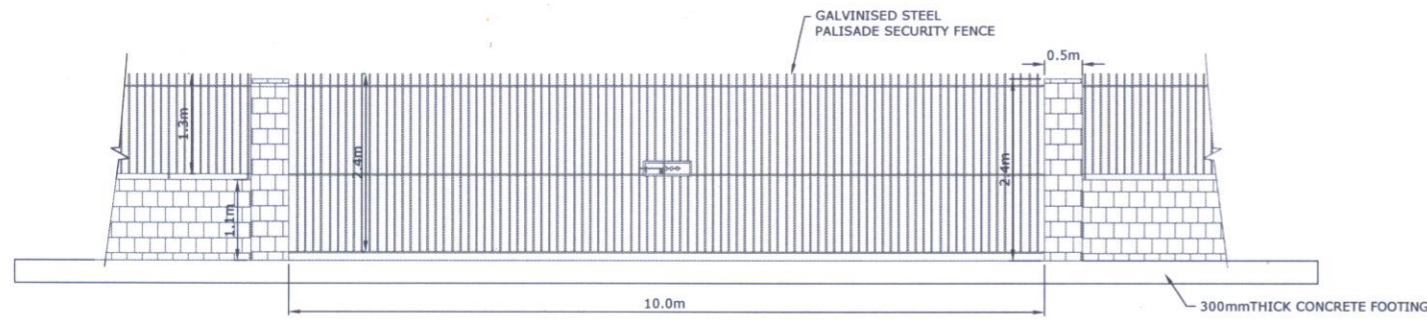
Legend:

NOTE: Ordnance Survey Ireland Licence No. EN001602
(© Ordnance Survey Ireland Government of Ireland)

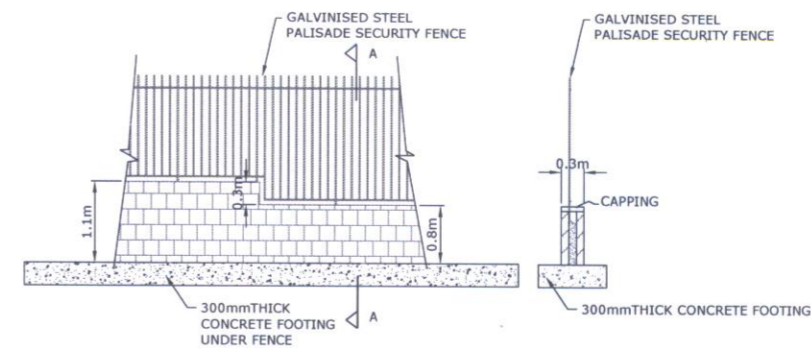
Notes:

1. Figured Dimensions only to be taken from this drawing.
2. All Drawings to be checked by the Contractor on site.
3. Engineer to be informed of any discrepancies before any work commences.
4. All levels relate to Ordnance Survey Datum at Main Head.

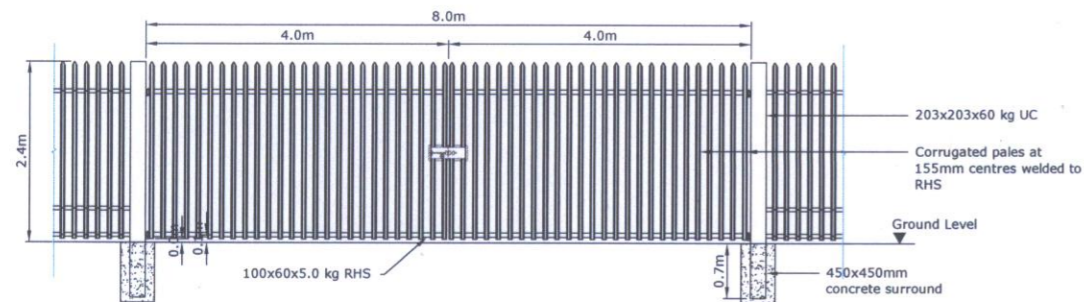
29 SEP 2005



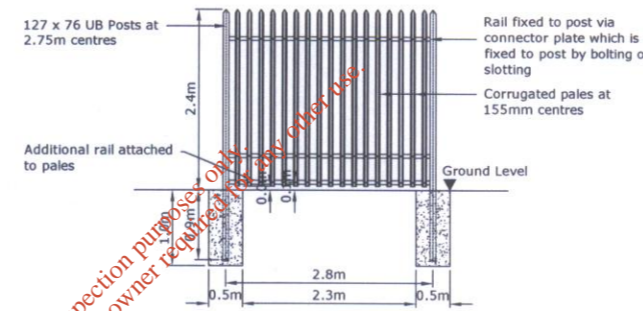
ENTRANCE GATE FENCING TYPE 1



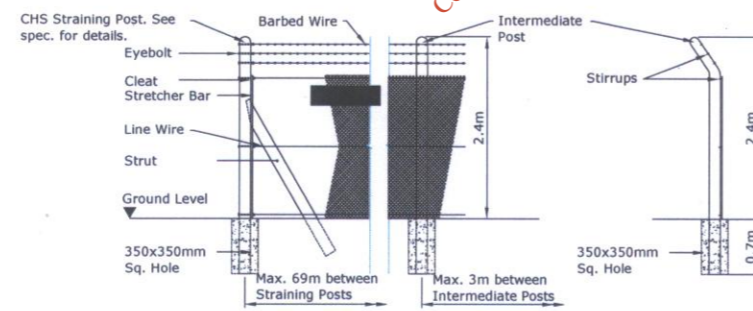
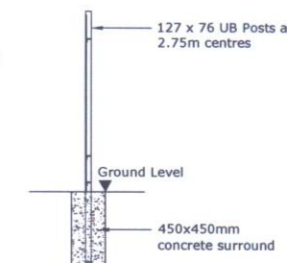
FENCING TYPE 1



GATE FENCING TYPE 2



FENCING TYPE 2



FENCING TYPE 3

MIN. DIMENSIONS FOR GATE FITTINGS	
DESCRIPTION	DIMENSIONS (mm)
HINGE PINS DIAMETER	20
PIVOT BOLT DIAMETER	20
GATE EYE BOLT:	
EYE THICKNESS	20
BOLT DIAMETER	20
LUGS:	
SINGLE	20
DOUBLE	20
BACKING PLATE THICKNESS	12
BOLT DIAMETER FOR CONNECTING BACKING PLATE TO GATE FRAME OR POSTS	2 x 20
LOCKING BAR	50 x 10
DROP BOLT DIAMETER	22
SLAM PLATE	8

Note:
The values in this table have been taken from BS 1722-12:1999 Table B Schedule B.

suffix revisions date int

Client
Fingal County Council
Comhairle Contae Fhine Gall

Project
KILSHANE CROSS
RECYCLING PARK

Drawing Title
TYPICAL FENCING DETAILS

Scale 1 : 100 @ A3
Drawn by Colin Peacock
Checked by [Signature]
Date September 2005

ENGINEER IN CHARGE: Dermot Burke
TES
CONSULTING ENGINEERS
BLOCK 10-3,
BLANCHARDSTOWN CORPORATE PARK,
DUBLIN 15,
IRELAND
TEL: 01 8000461
FAX: 01 8000410
email: info@tes.ie

Drawing No. 1234/01/216

Rev.