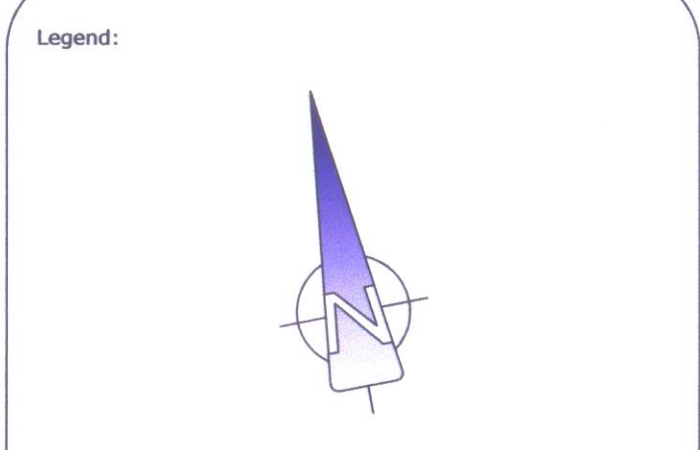


No part of this document may be re-produced or transmitted in any form or stored in any retrieval system of any nature without the written permission of the Consulting Engineer as copyright holder except as agreed for use on the project for the document was originally issued.



NOTE: Ordnance Survey Ireland Licence No. EN001602 (© Ordnance Survey Ireland Government of Ireland)

- Notes:
1. Figured Dimensions only to be taken from this drawing.
 2. All Drawings to be checked by the Contractor on site.
 3. Engineer to be informed of any discrepancies before any work commences.
 4. All levels relate to Ordnance Survey Datum at Malin Head.

29 SEP 2005



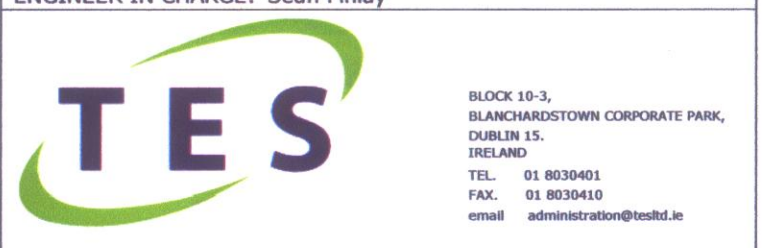
suffix	revisions	date	int
Client			



Project
KILSHANE CROSS RECYCLING PARK

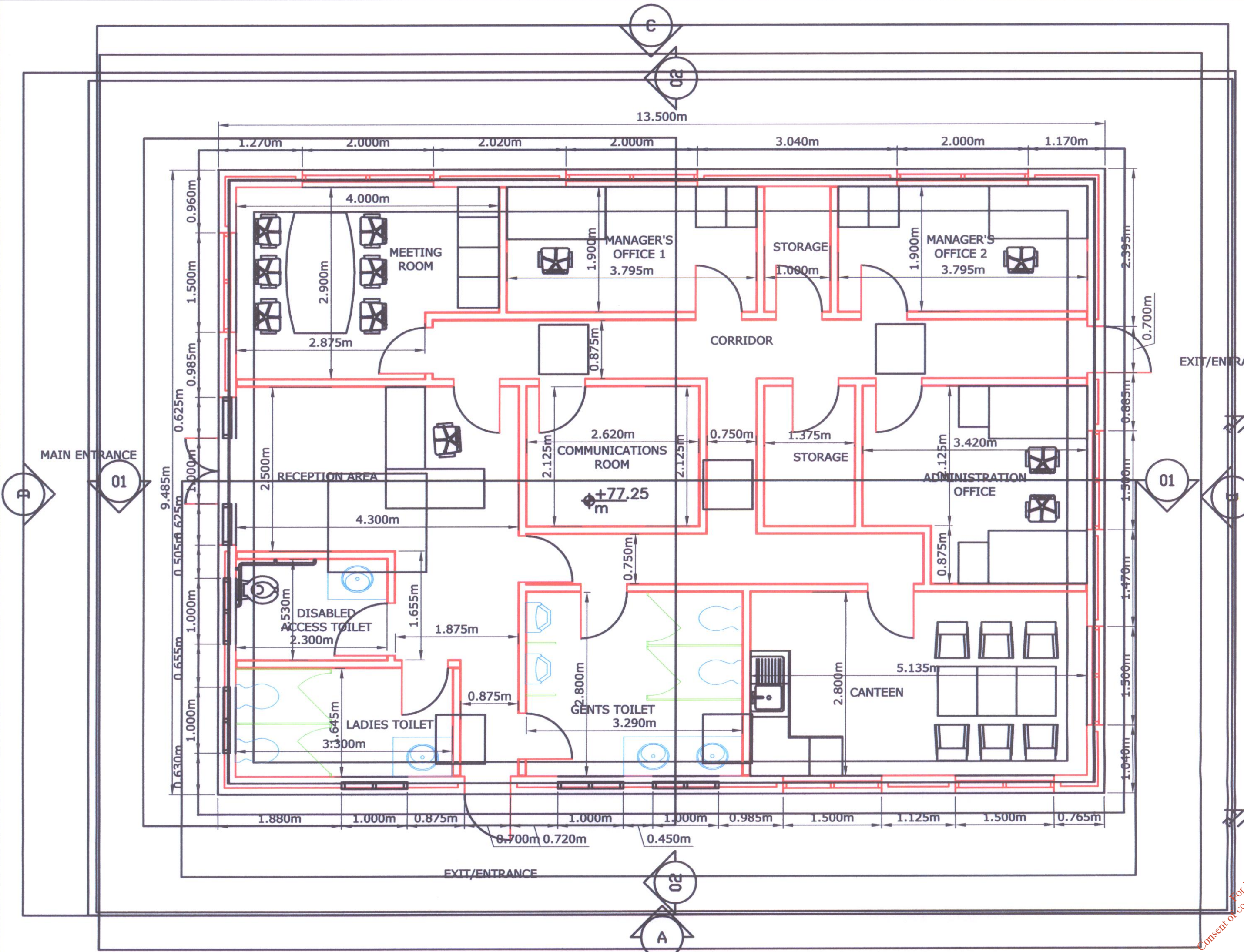
Drawing Title
MAIN ADMINISTRATION BUILDING PLAN, ELEVATIONS AND SECTIONS

Scale: 1:50 @ A1
 Drawn by: Colin Peacock
 Checked by: [Signature]
 Date: September 2005

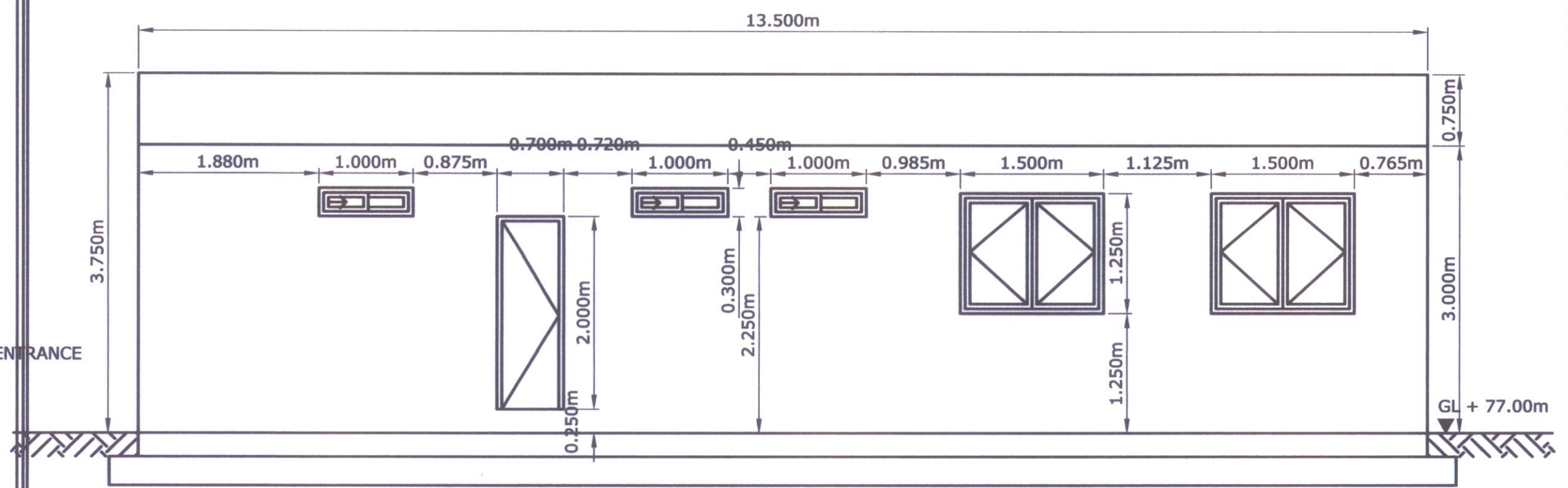


Drawing No. 1234/01/308

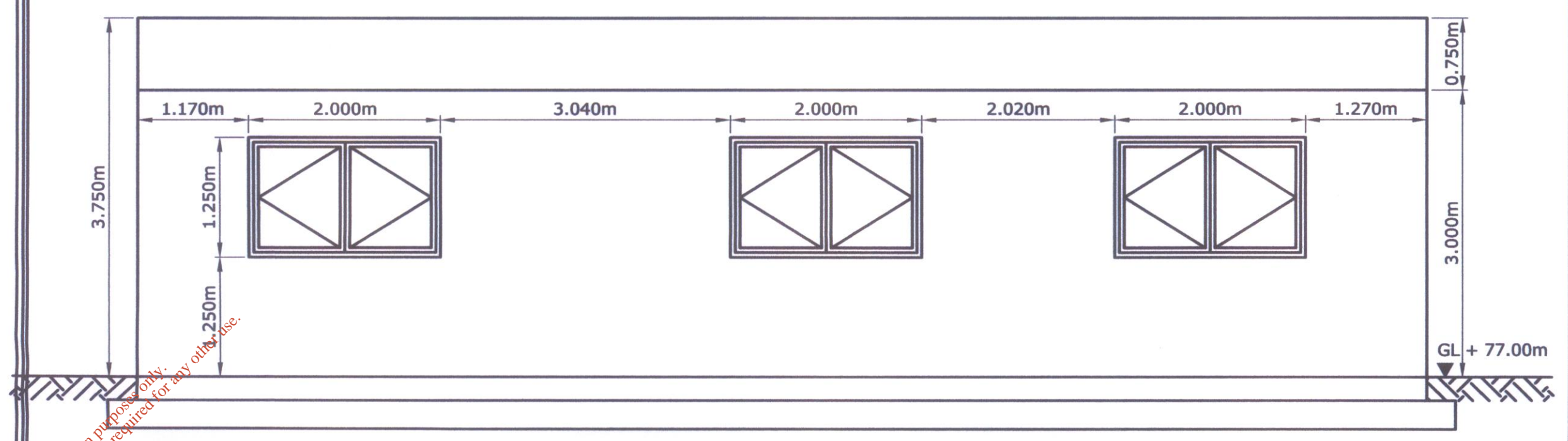
Rev.	



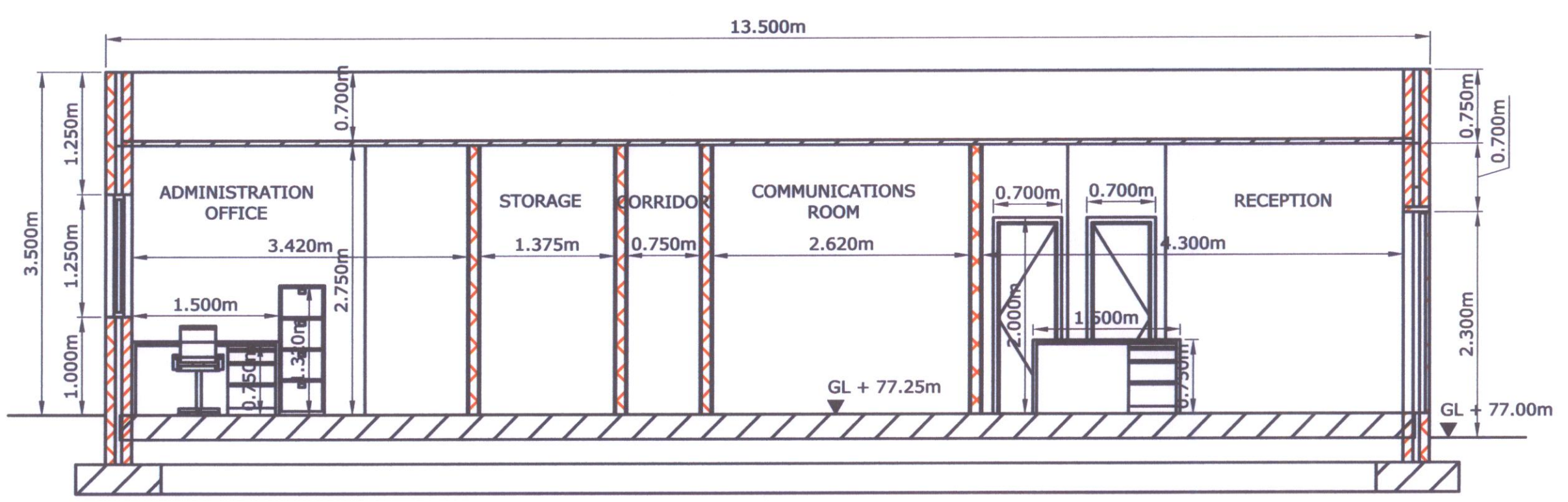
PLAN ON ADMINISTRATION BUILDING



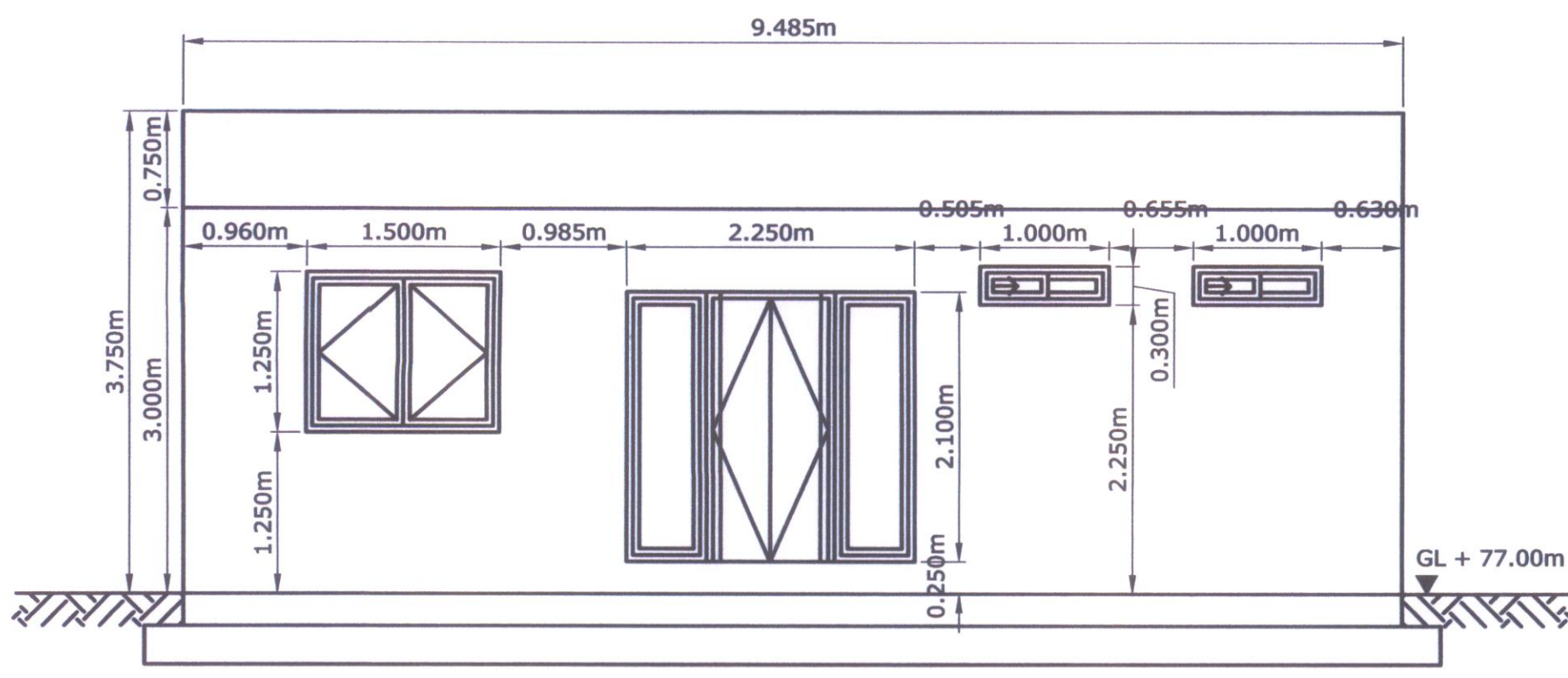
ELEVATION A



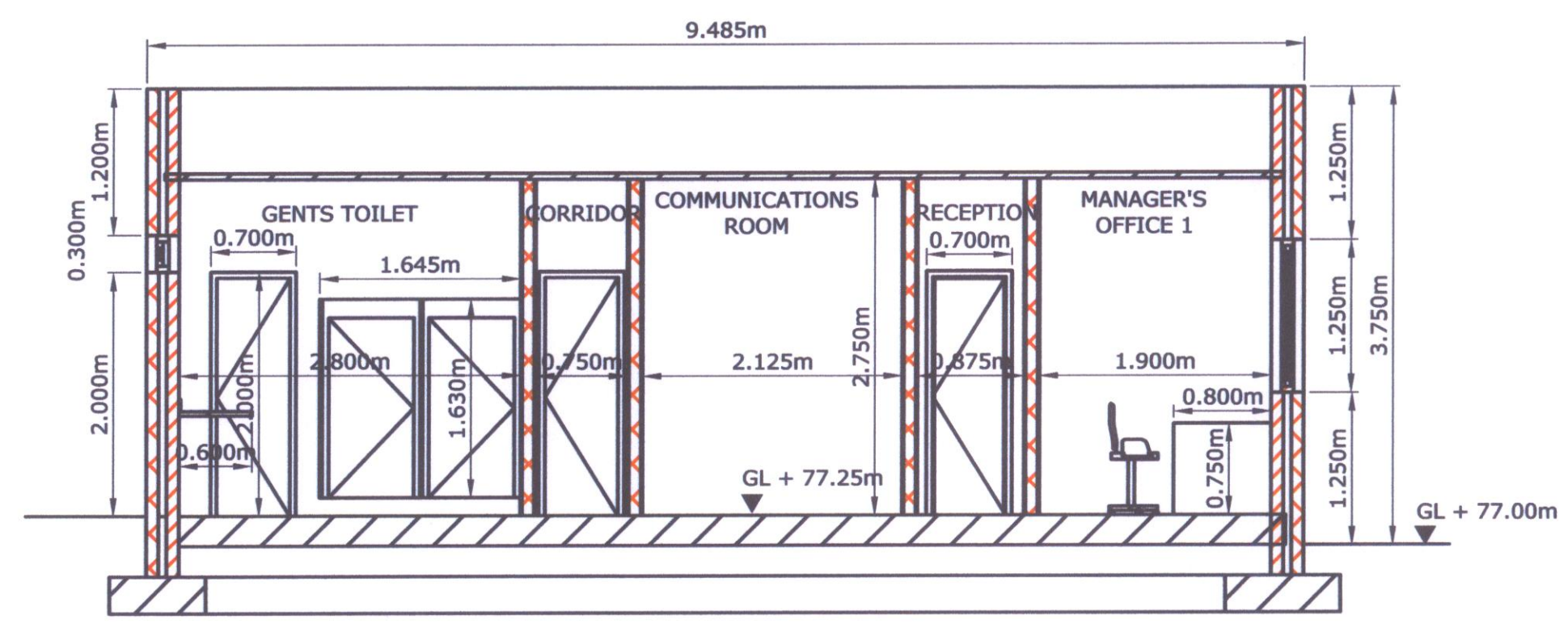
ELEVATION C



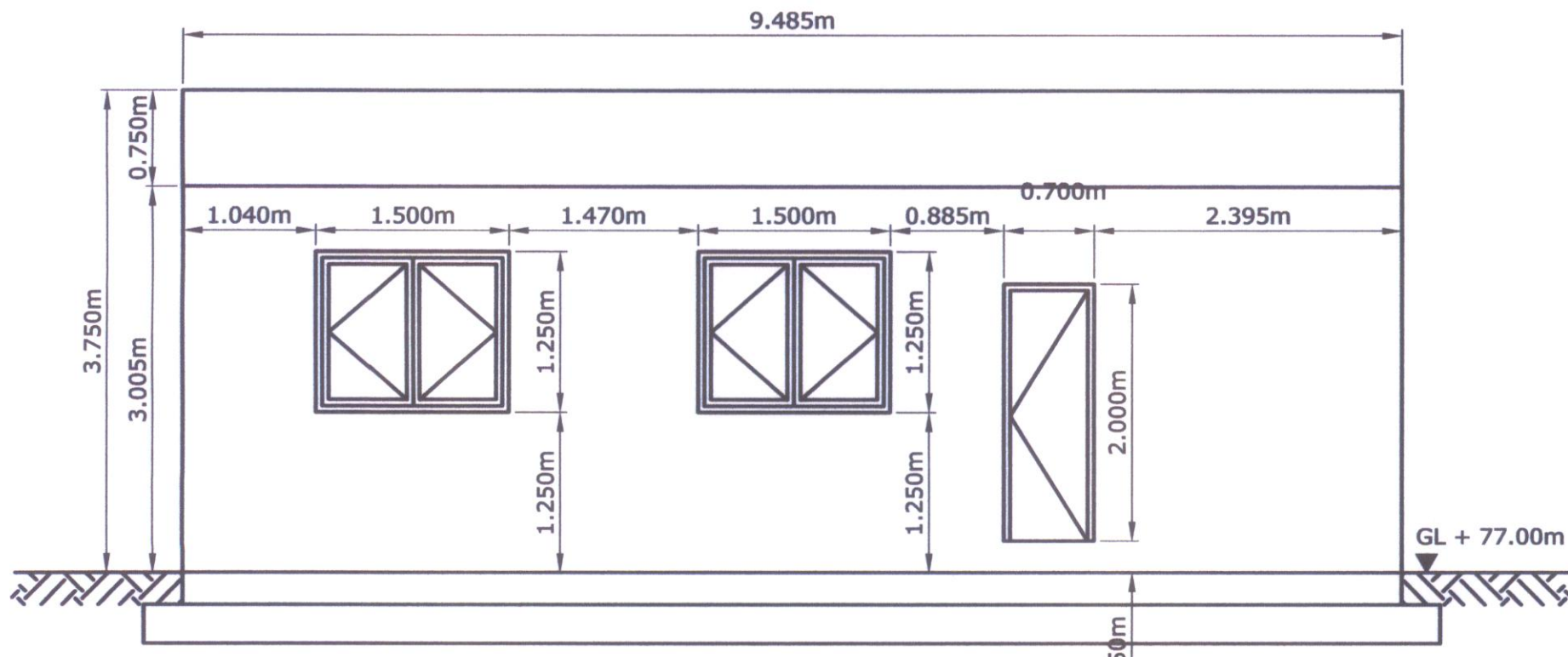
SECTION ON 01



ELEVATION D



SECTION ON 02



ELEVATION B