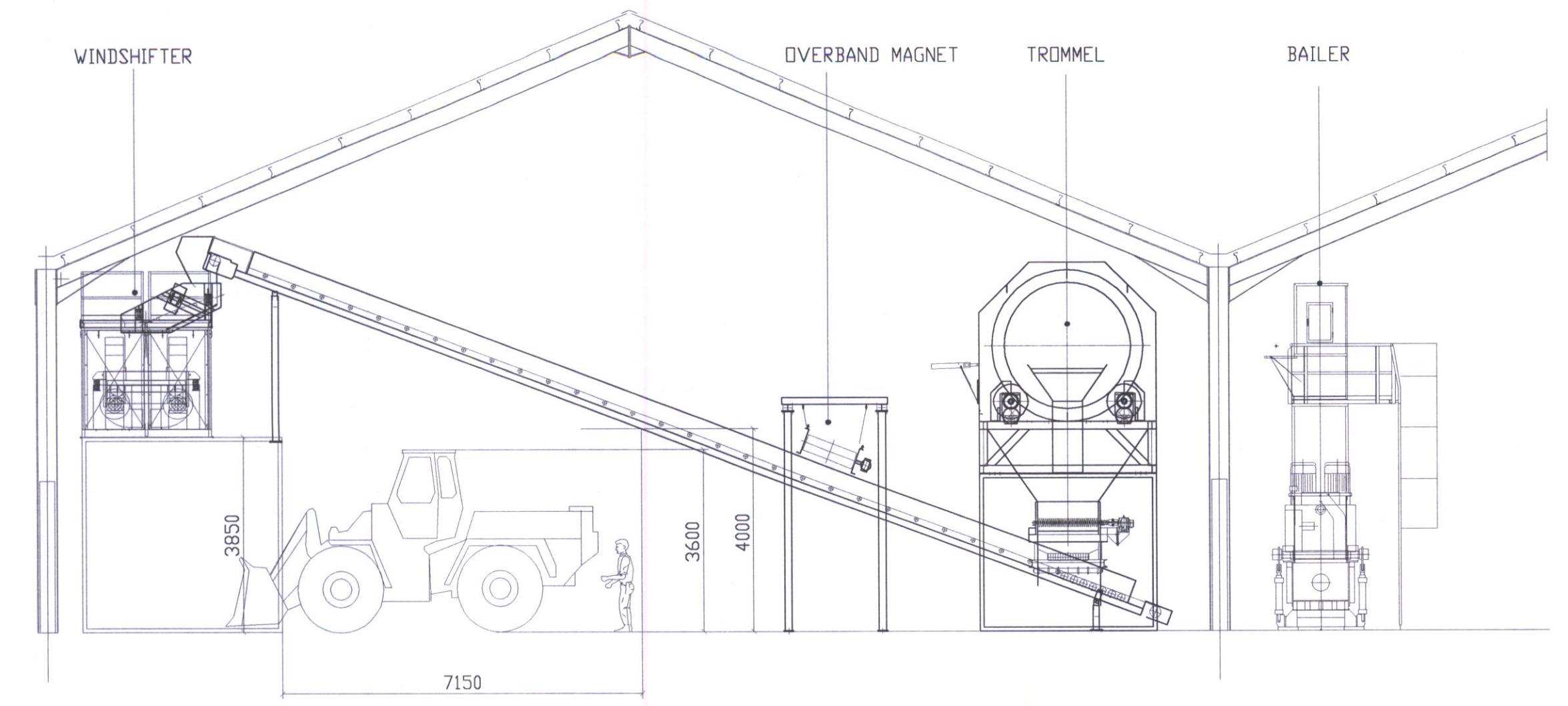
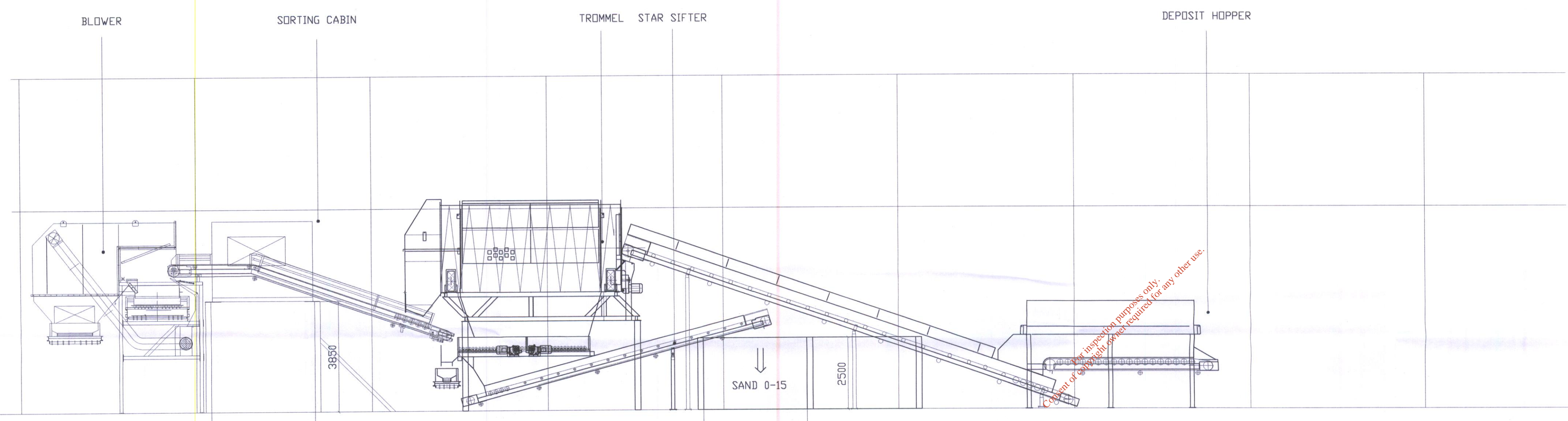


VIEW D-D

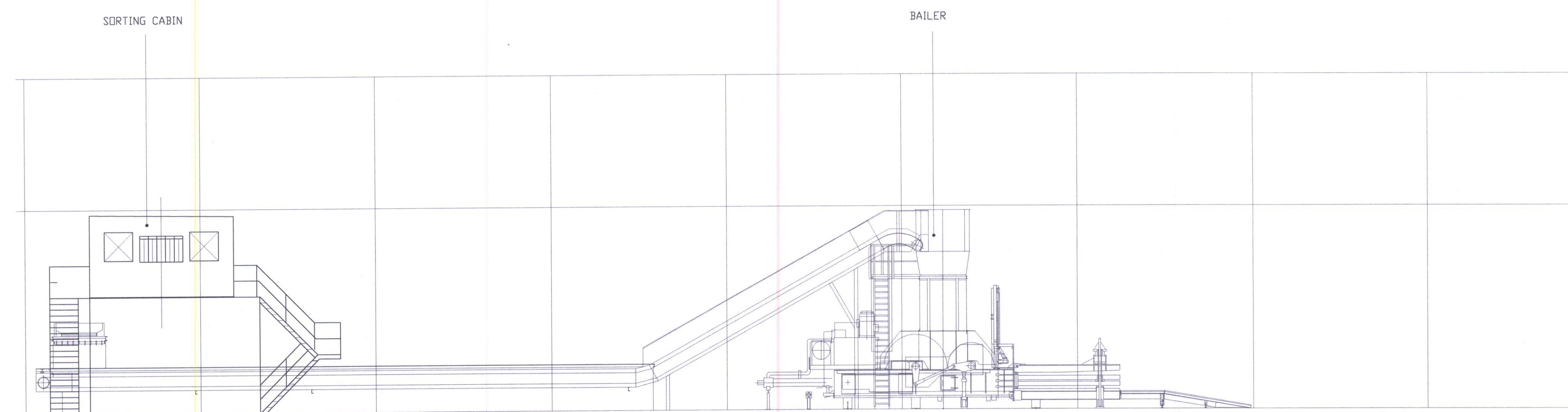


VIEW C-C



VIEW A-A

ENVIRONMENTAL PROTECTION  
AGENCY WASTE LICENSING  
RECEIVED  
- 2 SEP 2005  
INITIALS.....



VIEW B-B

19 AUG 2005 - Issued for  
Planning Permission and  
Waste Licence Application

project  
**PROPOSED RECYCLING FACILITY AT  
BLAKES CROSS, LUSK, CO. DUBLIN.**

dwg title  
**RECYCLING PROCESS  
SECTIONS & ELEVATIONS**

consulting civil & structural  
**DBFL**  
engineers  
22 - 24 hollys street dublin 2  
telephone: 6786343  
facsimile: 6610825  
email: dbfl@iol.ie

rev	date	description	by	chkd
C	27.04.03	LAYOUT REVISED	AMP	DJ
B	05.11.02	DRAWING AS RECEIVED FROM ROCKTEC 05/11/02	KM	DJ
A	08.10.02	LAYOUT REVISED		
none	SEP'02	first issue	ISSUED FOR INFORMATION	KM DJ
architect <b>INTERNATIONAL PLANT HIRE LTD.</b>				
scale	1:500	dwg. no	023045-900	C
file ref.	023045-900			

description revision Rev	REMARK	CAD.ND	PRD.ND	PAGE 15	DWG.ND JMR.02-338	REV	PROJECTION FORM: a1
<p><b>REDOX</b> RECYCLING TECHNOLOGY P.O. Box 218 7109AE Winterville The Netherlands TEL: (31)543-53030 FAX: (31)543-51989 E-mail: info@redox.nl www.redox.nl</p> <p>LAY OUT SORTING LINE GREENCLEAN</p>							