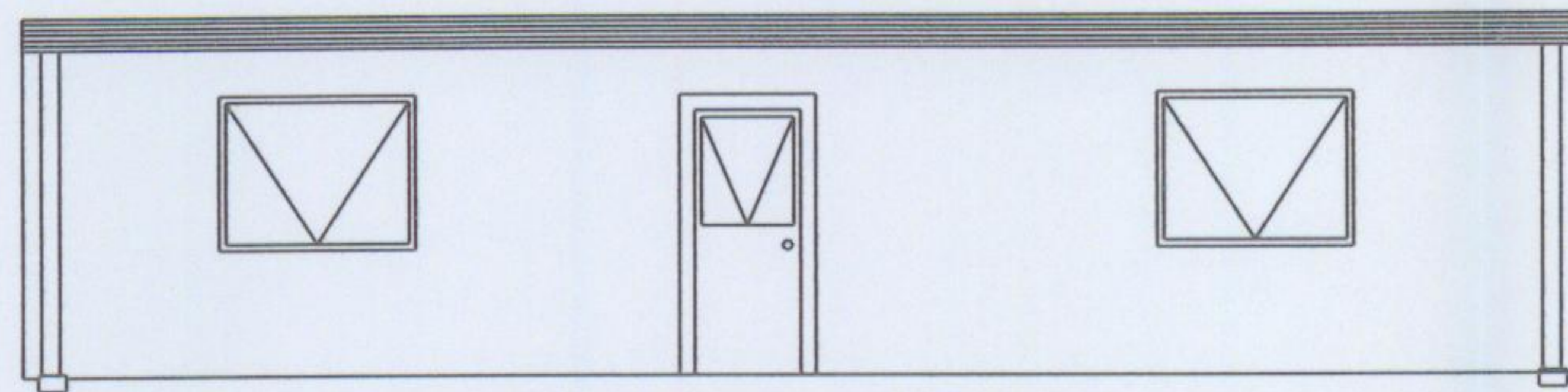


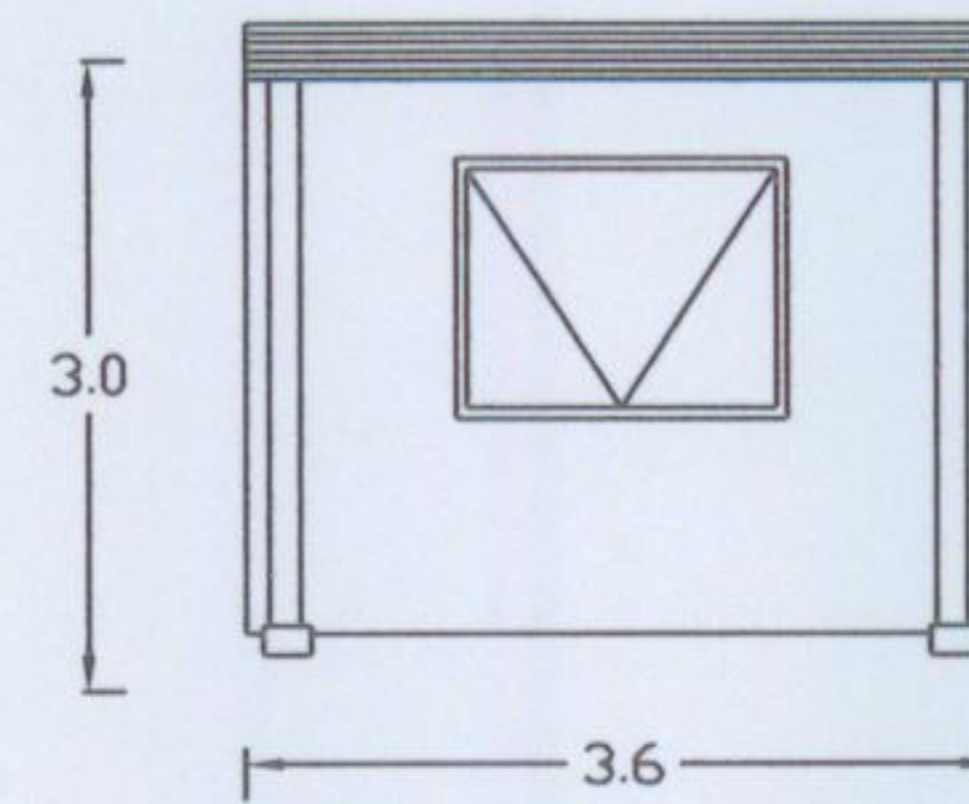
For inspection purposes only.
Consent of copyright owner is required for any other use.

APPENDIX 2D
PORTACABIN DETAILS

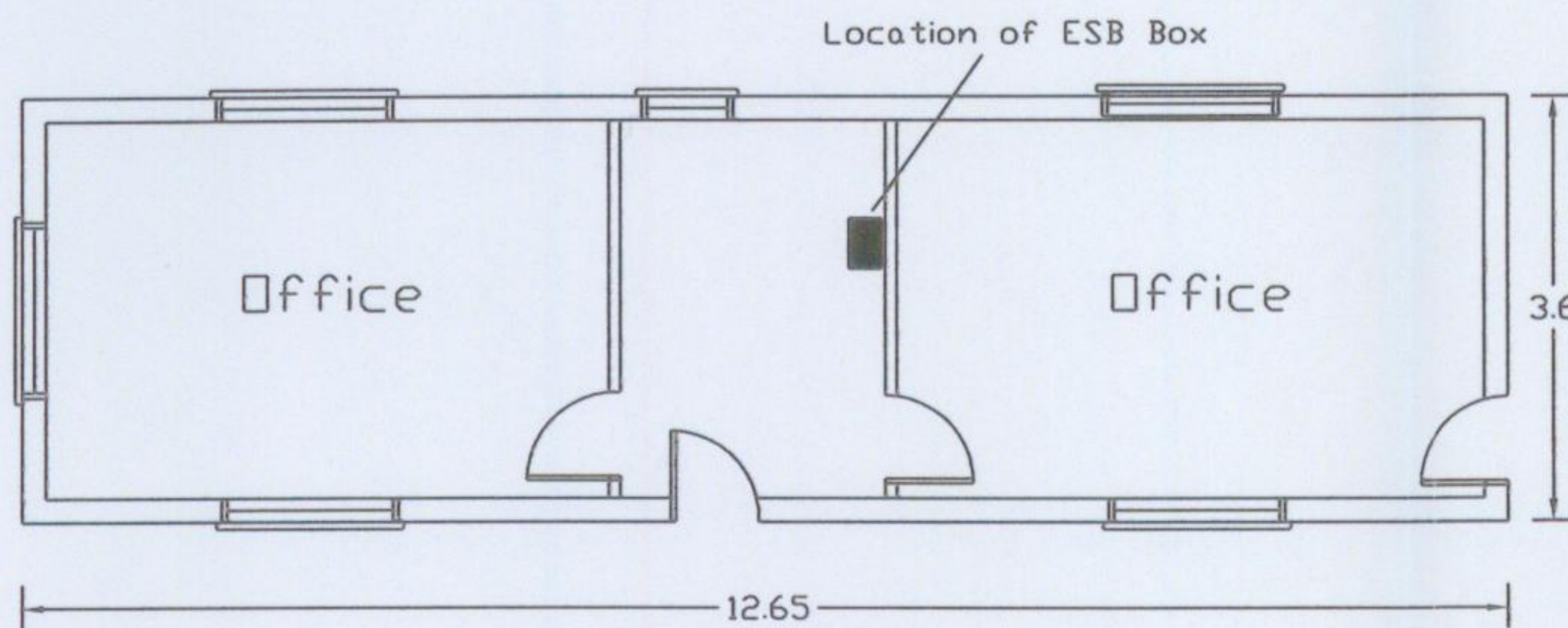
Construction of standard portakabin type being constructed of galvanised steel & treated plasterboard.
Internal Floor Area 39m



Portacabin Structure
Front Elevation



Side Elevation



Floor Plan

For proposed use only
Consent of copyright owner required for any other use.

Notes

Ref No	Date	Amendments	By	Chk'd

CLIENT:	Roadstone Dublin Ltd
SITE:	Lands at Blessington Co. Wicklow
TITLE:	Portakabin

JBA John Barnett & Associates
 CHARTERED MINERALS SURVEYORS,
 MINERALS, ENVIRONMENTAL &
 GEOTECHNICAL CONSULTANTS.
 CSA House, 6 & 7 Dundrum Business Park,
 Windy Arbour, Dublin 14, Ireland.
 PH: (353) 1 296 4667
 FAX: (353) 1 296 4676

Scale:	1:100	Datum:	
Date:	April 2004		
Author:	TP/TF	Drawing No:	2901_10
Drawn By:	TF	Ref:	App 2D